

1.5MHz, 1.5A Synchronous Step-Down Converter

FEATURES

- High Efficiency: Up to 96%
- 1.5MHz Constant Frequency Operation
- 1500mA Output Current
- No Schottky Diode Required
- 2.3V to 6V Input Voltage Range
- Adjustable Output Voltage Range
Options from 0.6V to V_{in}
- 100% Duty Cycle Low Dropout Operation
- Low Quiescent Current: 35 μ A
- Slope Compensated Current Mode Control for Excellent Line and Load Transient Response
- Short Circuit Protection
- Thermal Fault Protection
- Inrush Current Limit and Soft Start
- <1 μ A Shutdown Current
- Tiny SOT23-5 Package

APPLICATIONS

- Cellular and Smart Phones
- Wireless and DSL Modems
- PDAs
- Digital Still and Video Cameras
- MP3 Players

GENERAL DESCRIPTION

The MT3410 are high-efficiency, high frequency synchronous step-down DC-DC regulator ICs capable of delivering up to 1.5A output currents. The MT3410 can operate over a wide input voltage range from 2.3V to 6V and integrates main switch and synchronous switch with very low RDS(ON) to minimize the conduction loss.

It is ideal for powering portable equipment that runs from a single cell Lithium-Ion (Li+) battery. The output voltage can be regulated as low as 0.6V. The MT3410 can also run at 100% duty cycle for low dropout operation, extending battery life in portable system. This device offers two operation modes, PWM mode and PFM Mode switching control, which allows a high efficiency over the wider range of the load.

The MT3410 is offered in a low profile (1mm) 5-pin, thin SOT package, and is available in an adjustable version.

Typical Application

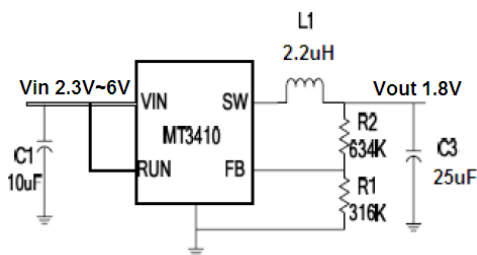
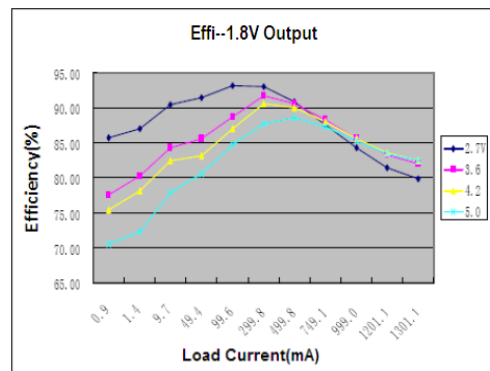


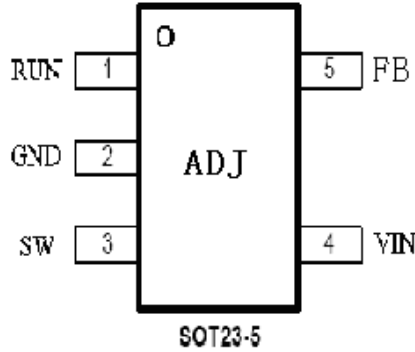
Figure 1. Typical Application Circuit



Absolute Maximum Ratings (Note 1)

Input Supply Voltage-0.3V to 6.5V	Operating Temperature Range ... -40°C to +85°C
RUN,FB Voltages..... -0.3V to 6.5V	Junction Temperature(Note2)125°C
SW Voltage-0.3V to (Vin+0.3V)	Storage Temperature Range-65°C to 150°C
Peak SW Sink and Source Current...2.5A	Lead Temperature(Soldering, 10s)+300°C

Package/Order Information



Part Number	SWITCHING FREQUENCY	Temperature Range	OUTPUT VOLTAGE (V)	OUTPUT CURRENT (A)
MT3410	1.5MHz	-40°C to +85°C	ADJ	1.5

Pin Description

PIN	NAME	FUNCTION
1	RUN	Chip Enable Pin. Drive RUN above 1.5V to turn on the part. Drive RUN below 0.3V to turn it off. Do not leave RUN floating.
2	GND	Ground Pin
3	SW	Power Switch Output. It is the switch node connection to Inductor. This pin connects to the drains of the internal P-ch and N-ch MOSFET switches.
4	VIN	Power Supply Input. Must be closely decoupled to GND with a 10µF or greater ceramic capacitor.
5	FB	Feedback Input. An internal resistive divider divides the output voltage down for comparison to the internal reference voltage.

Electrical Characteristics (Note 3)

($V_{IN}=V_{RUN}=3.6V$, $V_{OUT}=1.8V$, $T_A = 25^{\circ}C$, unless otherwise noted.)

Parameter	Conditions	MIN	TYP	MAX	unit
Input Voltage Range		2.3		6	V
UVLO Threshold		1.7	1.9	2.1	V
Input DC Supply Current	(Note 4)				μA
PWM Mode	$V_{out} = 90\%$, $I_{Load}=0mA$		140	300	μA
PFM Mode	$V_{out} = 105\%$, $I_{Load}=0mA$		35	70	μA
Shutdown Mode	$V_{RUN} = 0V$, $V_{IN}=4.2V$		0.1	1.0	μA
Regulated Feedback Voltage	$T_A = 25^{\circ}C$	0.588	0.600	0.612	V
	$T_A = 0^{\circ}C \leq T_A \leq 85^{\circ}C$	0.586	0.600	0.613	V
	$T_A = -40^{\circ}C \leq T_A \leq 85^{\circ}C$	0.585	0.600	0.615	V
Reference Voltage Line Regulation	$V_{in}=2.5V$ to $6V$		0.04	0.40	%/V
Output Voltage Line Regulation	$V_{IN} = 2.5V$ to $6V$		0.04	0.4	%
Output Voltage Load Regulation			0.5		%
Oscillation Frequency	$V_{out}=100\%$		1.5		MHz
	$V_{out}=0V$		300		KHz
On Resistance of PMOS	$I_{SW}=100mA$		0.13	0.2	Ω
ON Resistance of NMOS	$I_{SW}=-100mA$		0.1	0.2	Ω
Peak Current Limit	$V_{IN}= 3V$, $V_{out}=90\%$		2.5		A
RUN Threshold		0.30	1.0	1.50	V
RUN Leakage Current			± 0.01	± 1.0	μA
SW Leakage Current	$V_{RUN}=0V, V_{IN}=V_{sw}=5V$		± 0.01	± 1.0	μA

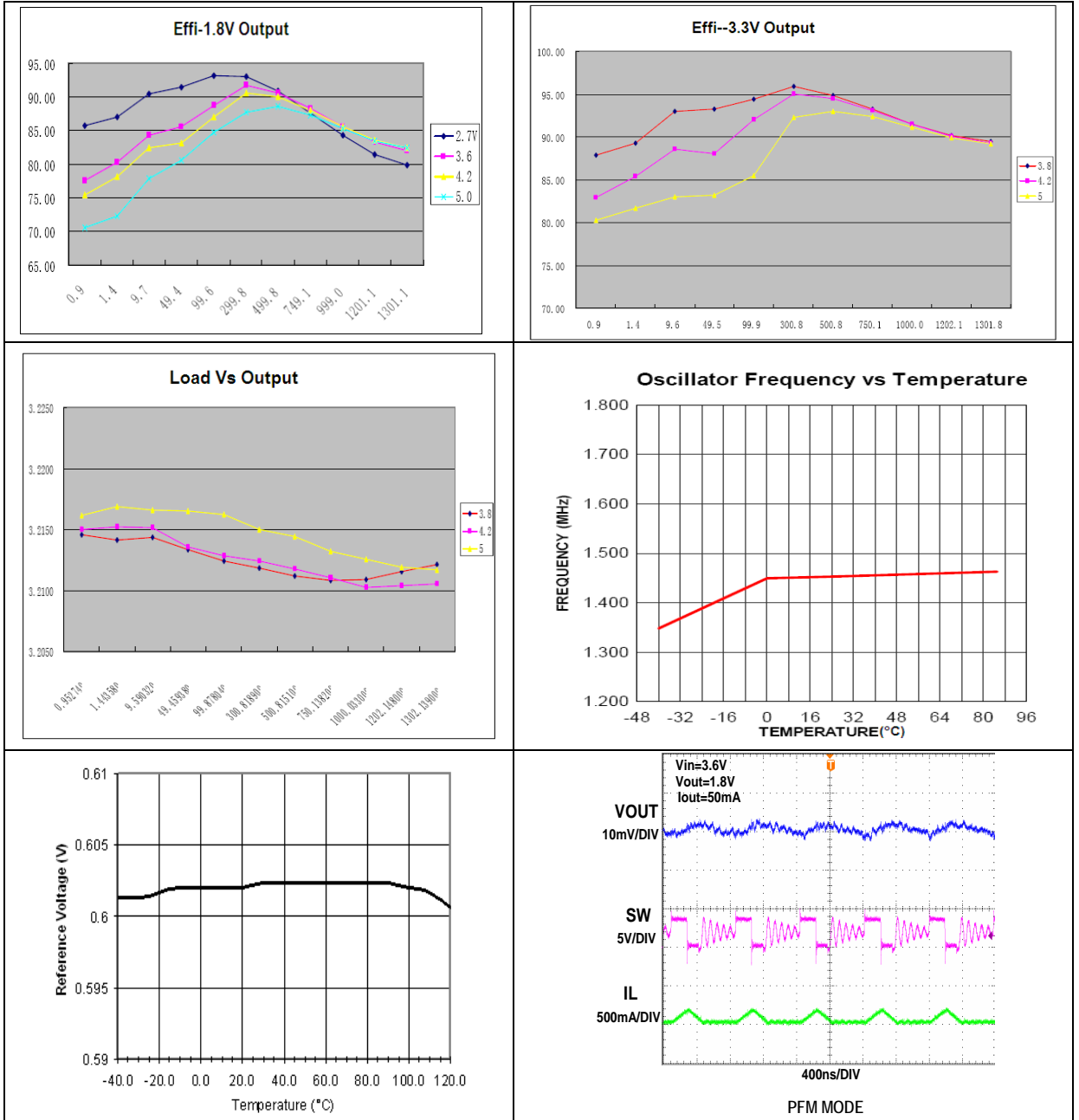
Note 1: Absolute Maximum Ratings are those values beyond which the life of a device may be impaired.

Note 2: T_J is calculated from the ambient temperature T_A and power dissipation P_D according to the following formula: $T_J = T_A + (P_D) \times (250^{\circ}C/W)$.

Note3: 100% production test at $+25^{\circ}C$. Specifications over the temperature range are guaranteed by design and characterization.

Note 4: Dynamic supply current is higher due to the gate charge being delivered at the switching frequency

Typical Performance Characteristics



Functional Block Diagram

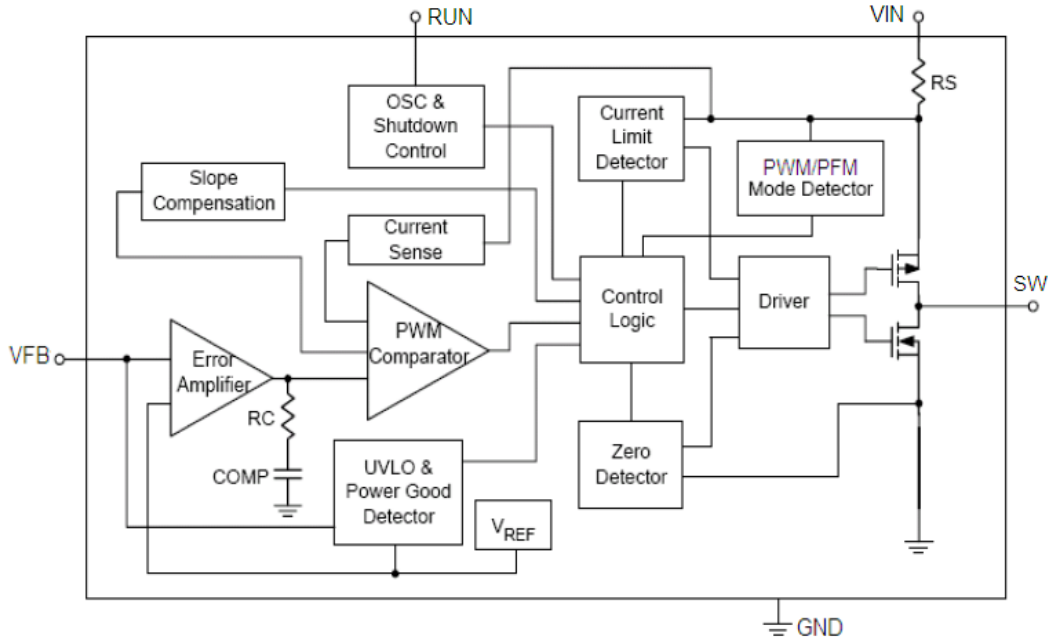


Figure 2. MT3410 Block Diagram

Functional Description

MT3410 is a synchronous buck regulator IC that integrates the PWM/PFM control, high-side and low-side MOSFETs on the same die to minimize the switching transition loss and conduction loss. With ultra low RDS(ON) power switches and proprietary PWM control, this regulator IC can achieve the highest efficiency and the highest switch frequency simultaneously to minimize the external inductor and capacitor size, and thus achieving the minimum solution footprint.

The MT3410 requires only three external power components (C_{in}, C_{out} and L). The adjustable version can be programmed with external feedback to any voltage, ranging from 0.6V to the input voltage.

At dropout operation, the converter duty cycle increases to 100% and the output voltage tracks the input voltage minus the R_{dson} drop of the high-side MOSFET.

The internal error amplifier and compensation provides excellent transient response, load, and line regulation. Soft start function prevents input inrush current and output overshoot during start up.

APPLICATIONS INFORMATION

Setting the Output Voltage

The internal reference V_{REF} is 0.6V(Typical).The output voltage is divided by a resistor, R_1 and R_2 to the FB pin. The output voltage is given by:

$$V_{out}=V_{REF}(1+R_2/R_1).$$

Inductor Selection

For most designs, the MT3410 operates with inductors of 1 μ H to 4.7 μ H. Low inductance values are physically smaller but require faster switching, which results in some efficiency loss. The inductor value can be derived from the following equation:

$$L = \frac{V_{OUT} \times (V_{IN} - V_{OUT})}{V_{IN} \times \Delta I_L \times f_{OSC}}$$

Where ΔI_L is inductor Ripple Current.

Large value inductors result in lower ripple current and small value inductors result in high ripple current. For optimum voltage-positioning load transients, choose an inductor with DC series resistance in the 50m Ω to 150m Ω range.

Input Capacitor Selection

With the maximum load current at 1.5A, the maximum ripple current through input capacitor is about 0.6Arms. A typical X7R or better grade ceramic capacitor with 6V rating and greater than 10 μ F capacitance can handle this ripple current well. To minimize the potential noise problem, place this ceramic capacitor really close to the IN and GND pins. Care should be taken to minimize the loop area formed by CIN, and IN/GND pins.

Output Capacitor Selection

The output capacitor is required to keep the output voltage ripple small and to ensure regulation loop stability. The output capacitor must have low impedance at the switching frequency. Ceramic capacitors with X5R or X7R dielectrics are recommended due to their low ESR and high ripple current ratings. The output ripple ΔV_{OUT} is determined by:

$$\Delta V_{OUT} \leq \frac{V_{OUT} \times (V_{IN} - V_{OUT})}{V_{IN} \times f_{OSC} \times L} \times \left(ESR + \frac{1}{8 \times f_{osc} \times C3} \right)$$

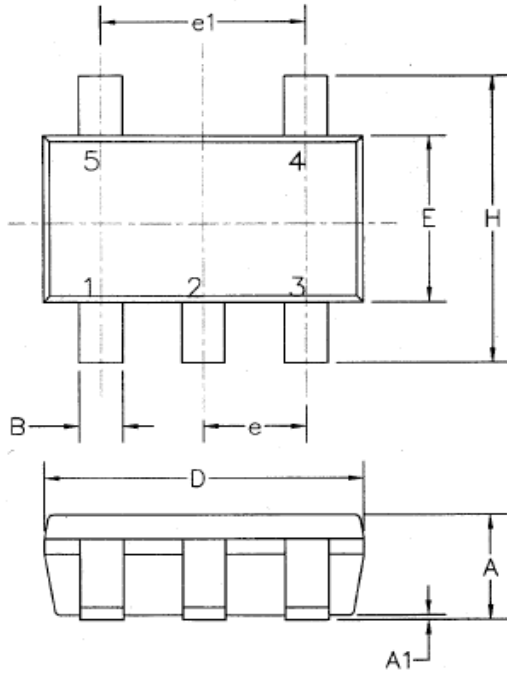
A 10 μ F ceramic Capacitor can satisfy most applications.

PC Board Layout Checklist

When laying out the printed circuit board, the following checking should be used to ensure proper operation of the MT3410. Check the following in your layout:

1. The power traces, consisting of the GND trace, the SW trace and the VIN trace should be kept short, direct and wide.
2. Does the (+) plates of Cin connect to Vin as closely as possible.This capacitor provides the AC current to the internal power MOSFETs.
3. Keep the switching node, SW, away from the sensitive VOUT node.
4. Keep the (-) plates of Cin and Cout as close as possible.

Package Description



5LD SOT-23 PACKAGE OUTLINE DIMENSIONS
ALL DIMENSIONS IN MM.

Dimension	Min.	Max.
A	0.9	1.10
A1	0.01	0.13
B	0.3	0.5
C	0.09	0.2
D	2.8	3.0
H	2.5	3.1
E	1.5	1.7
e	0.95 REF.	
e1	1.90 REF.	
L1	0.2	0.55
L	0.35	0.8
Q	0°	10°

