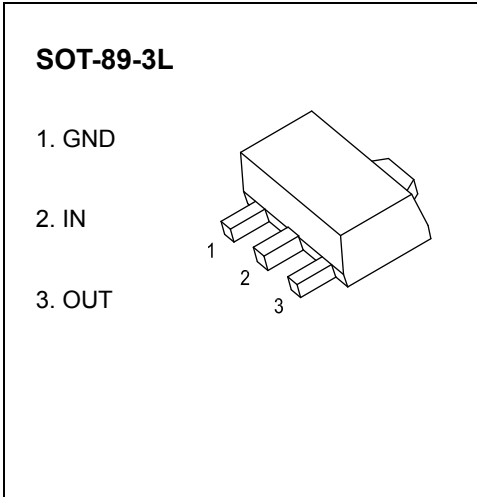


SOT-89-3L Encapsulate Three Terminal Voltage Regulators

CJ79L12 Three-terminal negative voltage regulator

FEATURES

- Maximum output current
I_{OM}: 0.1A
- Output voltage
V_O: -1.2V
- Continuous total dissipation
P_D: 0.6W (T_a= 25 °C)



ABSOLUTE MAXIMUM RATINGS (Operating temperature range applies unless otherwise specified)

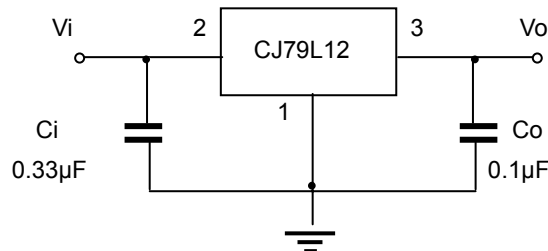
Parameter	Symbol	Value	Unit
Input Voltage	V _i	-30	V
Thermal Resistance from Junction to Ambient	R _{θJA}	208.3	°C/W
Operating Junction Temperature Range	T _{OPR}	0~+150	°C
Storage Temperature Range	T _{STG}	-65~+150	°C

ELECTRICAL CHARACTERISTICS AT SPECIFIED VIRTUAL JUNCTION TEMPERATURE (V_i=19V, I_o=40mA, C_i=0.33μF, C_o=0.1μF, unless otherwise specified)

Parameter	Symbol	Test conditions	Min	Typ	Max	Unit	
Output Voltage	V _o	25°C	-11.5	-12	-12.5	V	
		-14.5V ≤ V _i ≤ -27V, I _o = 1mA~40mA	0-125°C	-11.4	-12	-12.6	V
		I _o = 1mA~70mA		-11.4	-12	-12.6	V
Load Regulation	ΔV _o	I _o = 1mA~100mA	25°C	24	100	mV	
		I _o = 1mA~40mA	25°C	15	50	mV	
Line Regulation	ΔV _o	-14.5V ≤ V _i ≤ -27V	25°C	50	250	mV	
		-16V ≤ V _i ≤ -27V	25°C	40	200	mV	
Quiescent Current	I _q	25°C			6.5	mA	
Quiescent Current Change	ΔI _q	-16V ≤ V _i ≤ -27V	0-125°C		1.5	mA	
	ΔI _q	1mA ≤ I _o ≤ 40mA	0-125°C		0.1	mA	
Output Noise Voltage	V _N	10Hz ≤ f ≤ 100KHz	25°C	80		μV/V _o	
Ripple Rejection	RR	-15V ≤ V _i ≤ -25V, f = 120Hz	0-125°C	37	42	dB	
Dropout Voltage	V _d	25°C		1.7		V	

* Pulse test.

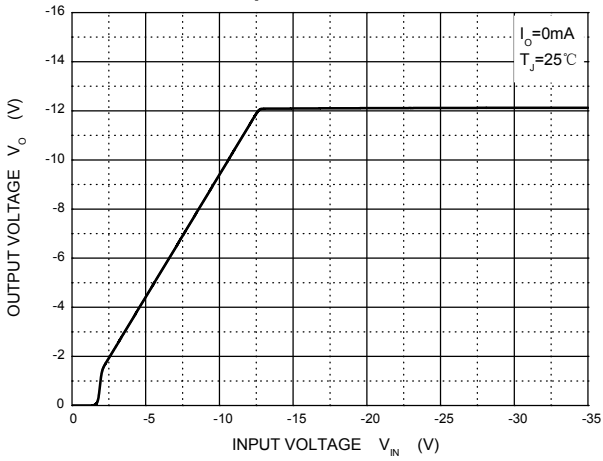
TYPICAL APPLICATION



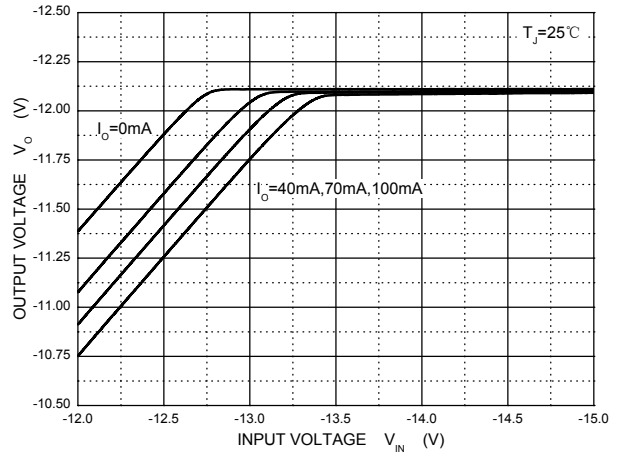
Note: Bypass capacitors are recommended for optimum stability and transient response and should be located as close as possible to the regulators.

Typical Characteristics

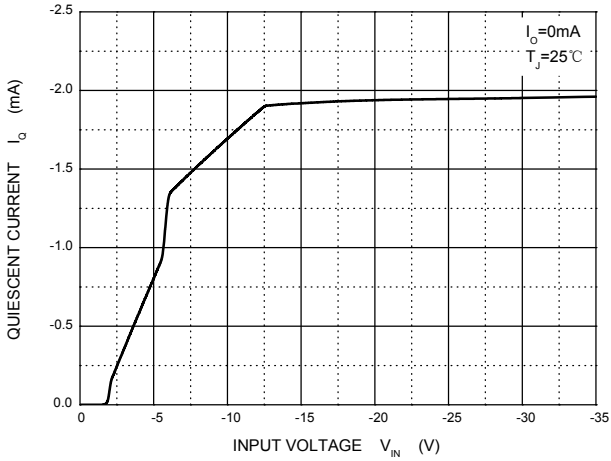
Output Characteristics



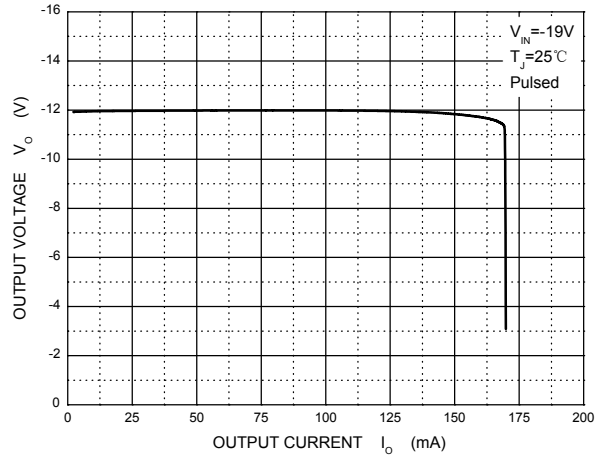
Dropout Characteristics



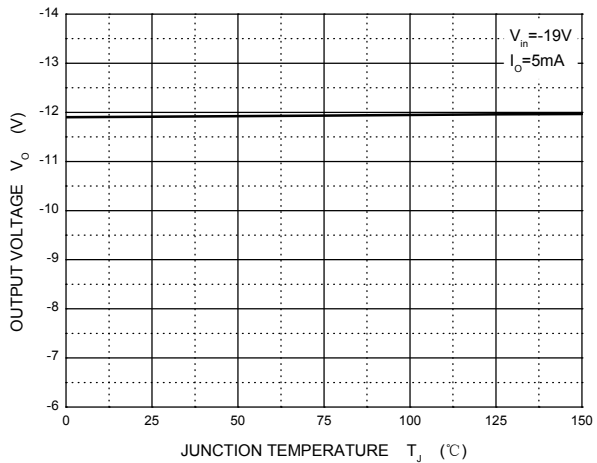
Quiescent Current vs Input Voltage



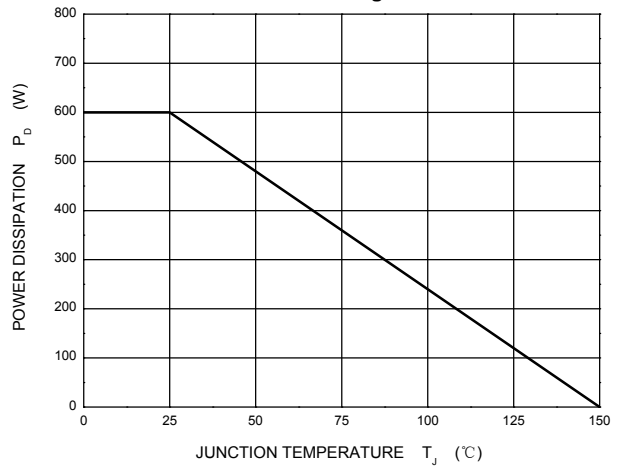
Current Cut-off Grid Voltage



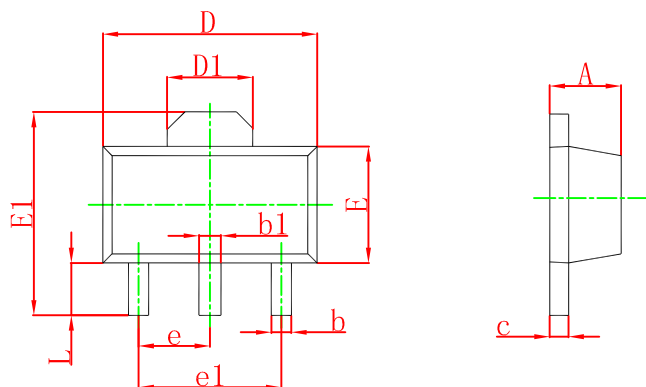
Output Voltage vs Junction Temperature



Power Derating Curve

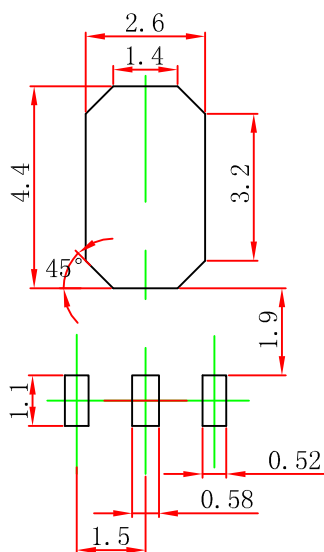


SOT-89-3L Package Outline Dimensions



Symbol	Dimensions In Millimeters		Dimensions In Inches	
	Min	Max	Min	Max
A	1.400	1.600	0.055	0.063
b	0.320	0.520	0.013	0.020
b1	0.400	0.580	0.016	0.023
c	0.350	0.440	0.014	0.017
D	4.400	4.600	0.173	0.181
D1	1.550 REF.		0.061 REF.	
E	2.300	2.600	0.091	0.102
E1	3.940	4.250	0.155	0.167
e	1.500 TYP.		0.060 TYP.	
e1	3.000 TYP.		0.118 TYP.	
L	0.900	1.200	0.035	0.047

SOT-89-3L Suggested Pad Layout



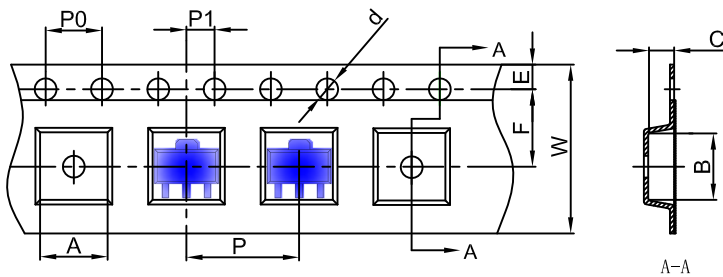
- Note:
1. Controlling dimension: in millimeters.
 2. General tolerance: ± 0.05 mm.
 3. The pad layout is for reference purposes only.

NOTICE

JCET reserve the right to make modifications, enhancements, improvements, corrections or other changes without further notice to any product herein. JCET does not assume any liability arising out of the application or use of any product described herein.

SOT-89-3L Tape and reel

SOT-89-3L Embossed Carrier Tape



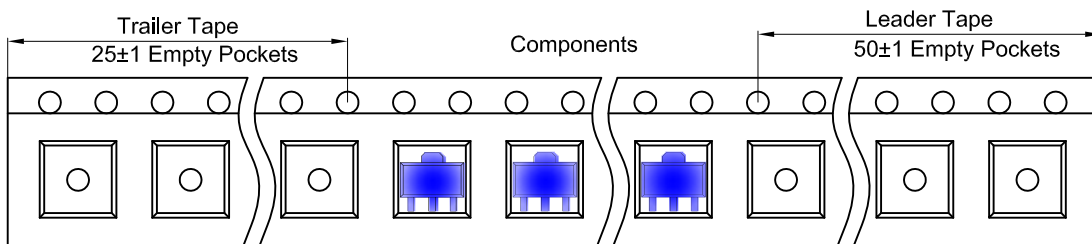
Packaging Description:

SOT-89-3L parts are shipped in tape. The carrier tape is made from a dissipative (carbon filled) polycarbonate resin. The cover tape is a multilayer film (Heat Activated Adhesive in nature) primarily composed of polyester film, adhesive layer, sealant, and anti-static sprayed agent. These reeled parts in standard option are shipped with 1,000 units per 7" or 18.0 cm diameter reel. The reels are clear in color and is made of polystyrene plastic (anti-static coated).

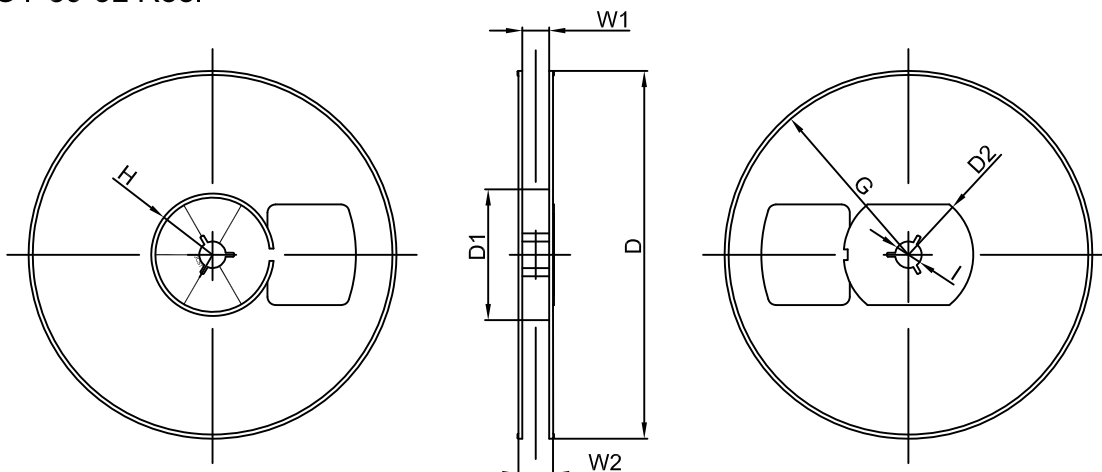
Dimensions are in millimeter

Pkg type	A	B	C	d	E	F	P0	P	P1	W
SOT-89-3L	4.85	4.45	1.85	Ø1.50	1.75	5.50	4.00	8.00	2.00	12.00

SOT-89-3L Tape Leader and Trailer



SOT-89-3L Reel



Dimensions are in millimeter

Reel Option	D	D1	D2	G	H	I	W1	W2
7"Dia	Ø180.00	60.00	R32.00	R86.50	R30.00	Ø13.00	13.20	16.50

REEL	Reel Size	Box	Box Size(mm)	Carton	Carton Size(mm)	G.W.(kg)
1000 pcs	7 inch	10,000 pcs	203×203×195	40,000 pcs	438×438×220	