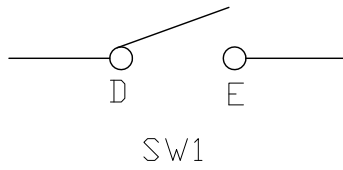
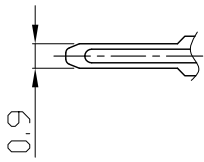
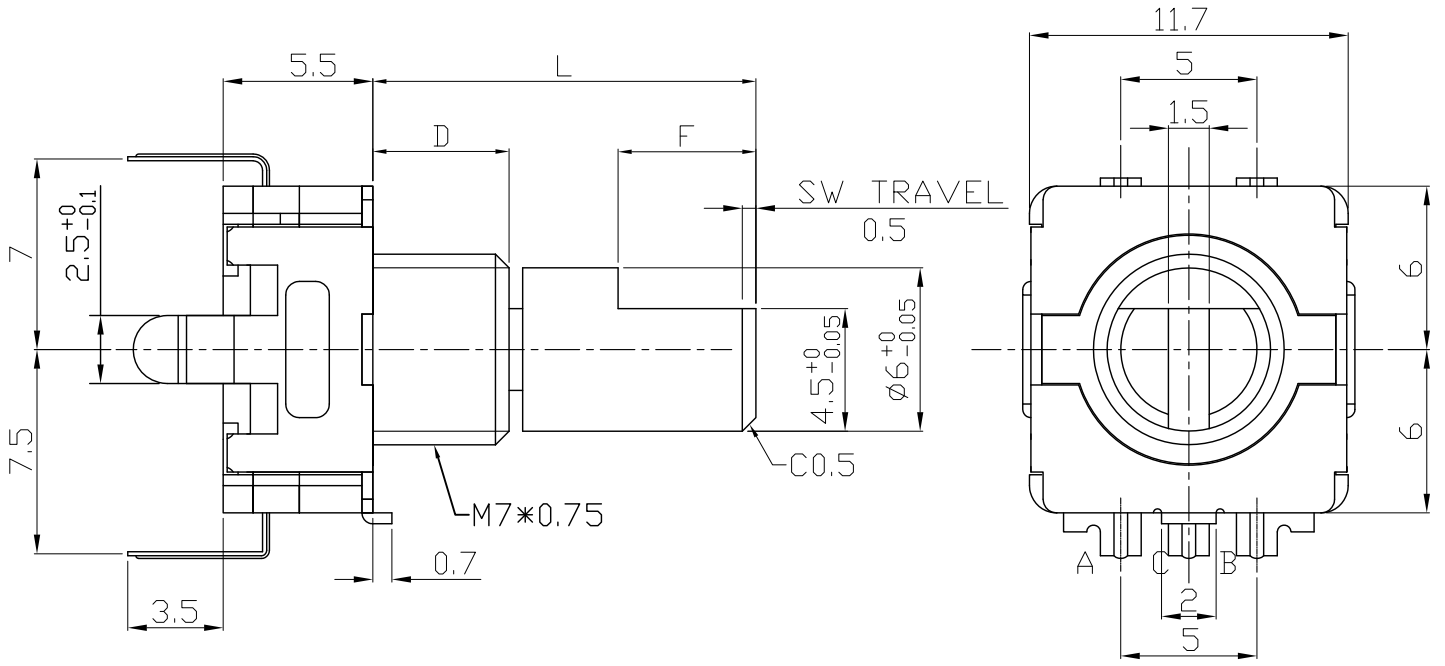
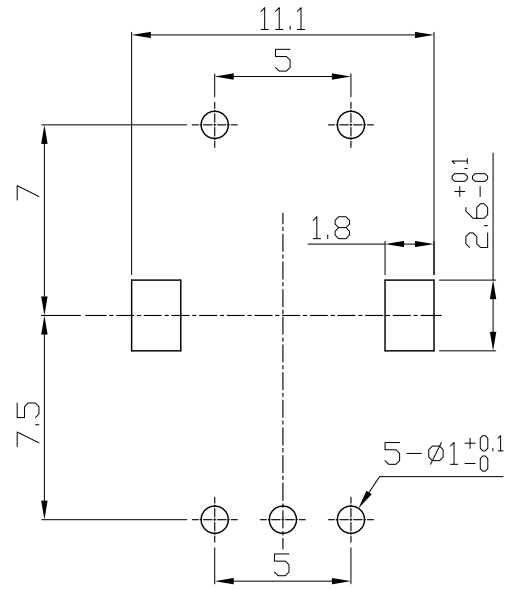


MODEL RE1109 X E1-H01

BASIC DIMENSIONS	L ≤ 10	10 < L	100 ≤ L	ANGLE	UNIT
TOL.	±0.3	±0.5	±0.8	±5°	mm



X	B	C
D	5	7



P.C.B.MOUNTING DETAIL

轴型规格

<p>V轴</p>	D=7	
	L	15
	F	7

<p>K轴</p>	D=5	D=7
	L	11.5 20
	F	5 7