

规格(承认)书

Specification for approval

※ 方舟 P/N (ARKLED P/N): SR420561/SR410561

※ 客户 P/N (CUSTOMER P/N): _____

※ 产品说明 (DESCRIPTION):

1. 0.56 inch (14.2mm) Digit Height
2. Four Digits Numeric LED Display
3. Ultra Brightness Red

※ 日期 (DATE): 2012-4-23

地址: 江苏省宜兴市张渚镇金张渚工业区宇龙路6号

FACTORY ADD: NO.6 Yulong Road, ZHANGZHU TOWN, YIXING CITY, JIANGSU PROVINCE, P.R.CHINA

Ningbo Branch:

电话 (TEL): **0086-574-86308393**

E-mial: **ark@arkled.net**

传真 (FAX): **0086-574-86308392**

网址(http) : **www.arkled.net**

0.56 Inch Numeric LED Display

Part No: SR420561, SR410561



FEATURES

- High intensity and reliability
- High quality, Low power requirement and low cost
- IC compatible, Easy assembly
- Meet RoHS EU Directive

DESCRIPTION

- The device of this 0.56 inch numeric LED display is made of 4 elements (AlGaInP) material, designed for viewing distance up to 7 meters.
- It can be used in audio equipment, instruments, numeric read out display and so on.
- Standard appearance color is black or grey face and white segment.

Selection Guide

| Part No. CC ^[1] | Part No. CA ^[2] | Dice | Iv(mcd) ^[3] @20mA | |
|-------------------------------|-------------------------------|----------------------------|------------------------------|------|
| | | | Min. | Typ. |
| SR420561 | SR410561 | Ultra Bright Red (AlGaInP) | 17 | 50 |

Note:

1. CC is Common Cathode.
2. CA is Common Anode.
3. Luminous intensity/ luminous Flux: +/-15%.

0.56 Inch Numeric LED Display

Part No: SR420561, SR410561



ABSOLUTE MAXIMUM RATINGS AT Ta=25°C

| PARAMETER | SYMBOL | ULTRA-BRIGHT RED | UNIT |
|--|--------|------------------|------|
| Power Dissipation Per Segment | PAD | 100 | mw |
| Reverse Voltage Per Segment | VR | 5 | V |
| Continuous Forward Current Per Segment | IAF | 30 | mA |
| Peak Forward Current Per Segment(Duty-0.1,1KHz) | IPF | 200 | mA |
| Operating Temperature Range | TOPr | -20°C to 80°C | |
| Storage Temperature Range | Tstg | -30°C to 85°C | |
| Lead Soldering Temperature 260°C at 1.6mm From Body for 3 second | | | |

ELECTRICAL/OPTICAL CHARACTERISTICS AT Ta=25°C

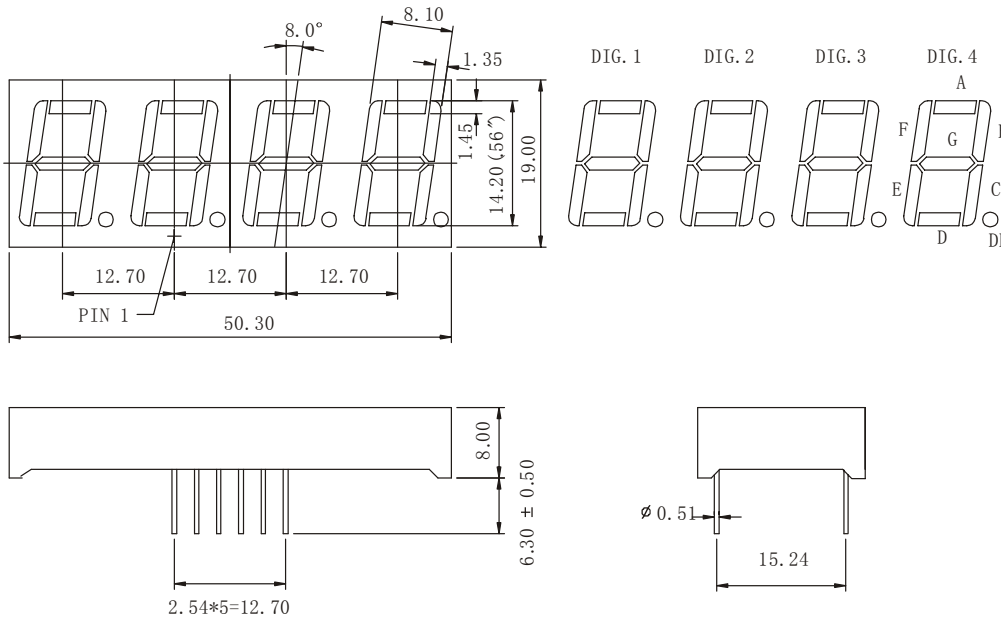
| PARAMETER | SYMBOL | TEST CONDITION | Color | TYP | MAX | UNIT |
|-------------------------------|--------|----------------|------------------|-----|-----|------|
| Forward Voltage ,Per Segment | VF | IF=20mA | ULTRA-BRIGHT RED | 1.9 | 2.6 | V |
| Reverse Current , Per Segment | IR | VR=5V | ULTRA-BRIGHT RED | | 50 | μA |
| Peak Emission Wavelength | λp | IF=20mA | ULTRA-BRIGHT RED | 640 | | nm |

0.56 Inch Numeric LED Display

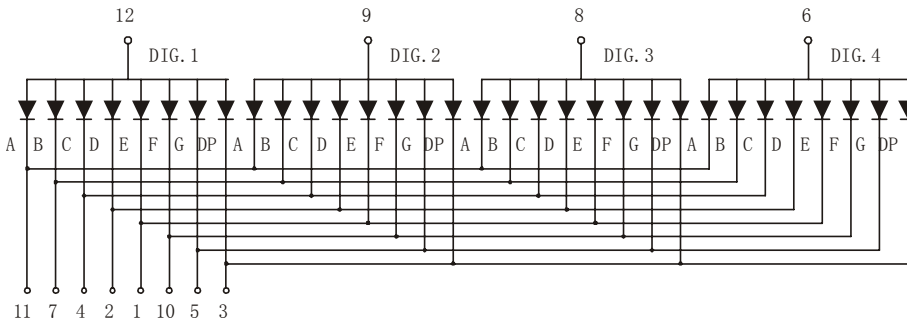
Part No: SR420561, SR410561



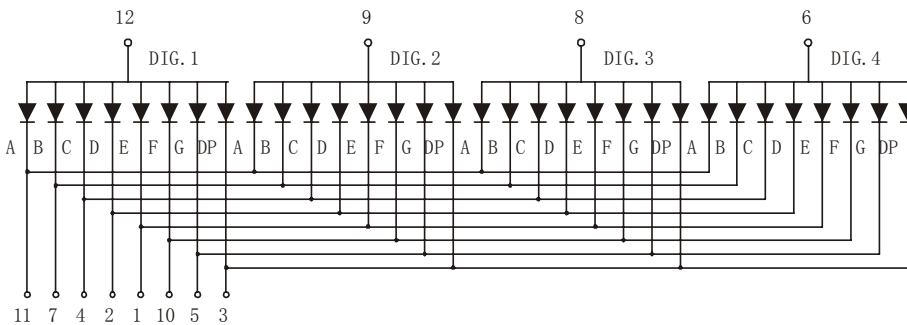
Package Dimensions and Internal Circuit Diagram



SR20561



SR10561

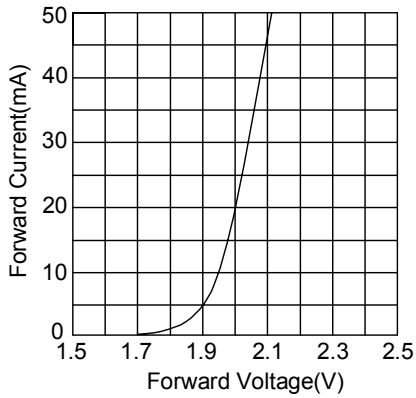


NOTES: 1. all dimensions are in millimeters. (Inches)
2. Tolerance is $\pm 0.25(0.010)$ unless otherwise specified.

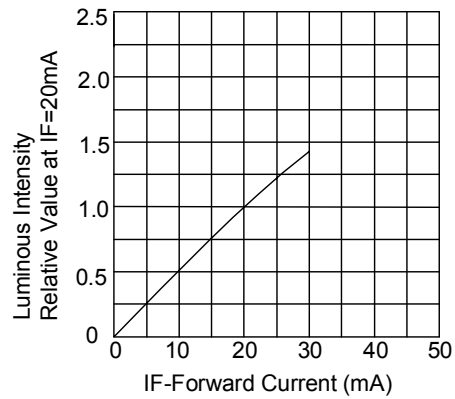


Typical Electrical-Optical Characteristics Curves

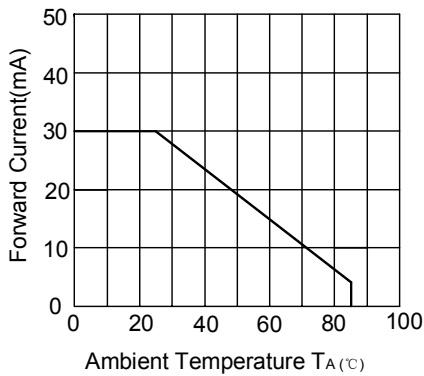
Forward Current Vs Forward Voltage



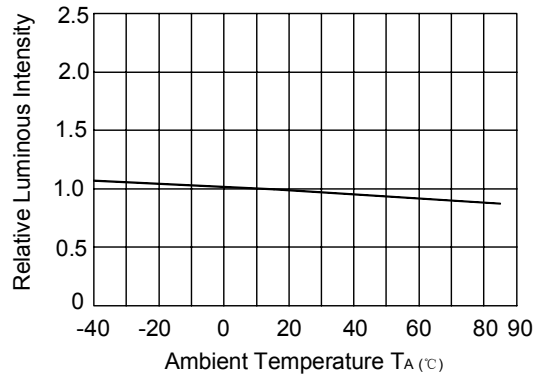
Relative Intensity Vs Forward Current



Forward Current Vs Environmental Temp



Relative Intensity Vs Environmental Temp



Relative Intensity Vs Wavelength

