

# 40

# DC Fan Series

## x40x10mm

UL us CE RoHS

Optional Features



### GENERAL SPECIFICATIONS

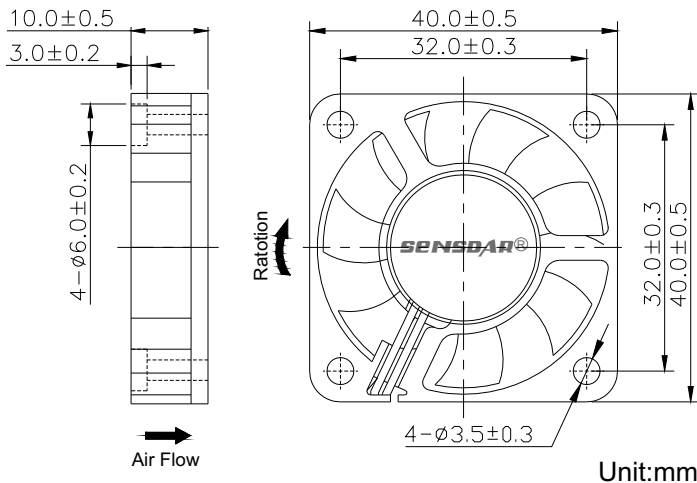
Bearing Type: Sleeve Bearing & Ball Bearing  
 Material: Impeller & Frame: Plastic (UL94V-0)  
 Lead Wire: UL Type  
 Operation Temperature: -10°C-70°C, 35%-85%RH  
 Storage Temperature: -40°C-80°C, 35%-85%RH



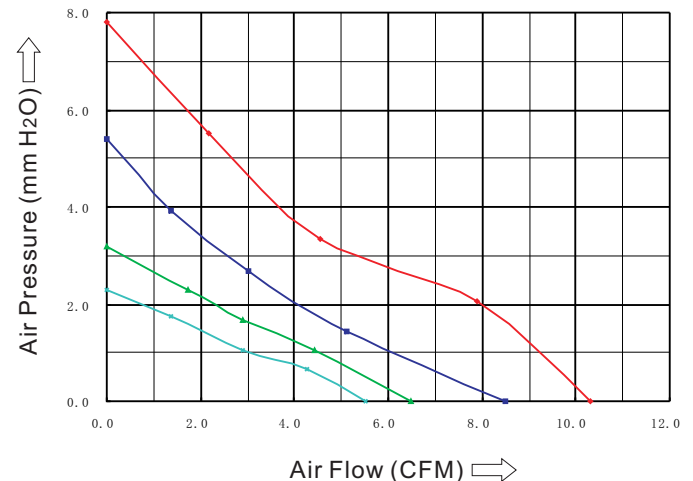
### SPECIFICATIONS

Model	Bearing System		Rated Voltage	Operation Voltage	Rated Current	Rated Speed	Air Flow	Air Pressure	Noise Level	Weight
	Ball	Sleeve	VDC	VDC	A	RPM	CFM	mmH <sub>2</sub> O	dBA	g
SD4010H5X	●	●	5.0	3.5-5.5	0.20	7000	7.7	4.5	31	15
SD4010M5X	●	●			0.15	6000	6.6	3.3	27	
SD4010L5X	●	●			0.13	5000	5.5	2.3	23	
SD4010D1X	●	●	12.0	6.0-13.8	0.15	9000	10.3	7.8	36	
SD4010H1X	●	●			0.10	7000	7.7	4.5	31	
SD4010M1X	●	●			0.08	6000	6.6	3.3	27	
SD4010L1X	●	●			0.06	5000	5.5	2.3	23	
SD4010D2X	●	●	24.0	12.0-27.6	0.13	9000	10.3	7.8	36	
SD4010H2X	●	●			0.09	7000	7.7	4.5	31	
SD4010M2X	●	●			0.07	6000	6.6	3.3	27	
SD4010L2X	●	●			0.05	5000	5.5	2.3	23	

### DIMENSIONS DRAWING



### P&Q CURVE (AT RATED VOLTAGE)



Note:

- \*All readings are typical values at rated voltage.
- \*Specifications are subject to change without prior notice.
- \*"X" in model list can be B, S, and C, meaning Dual Ball Bearing, Sleeve Bearing and 1 Ball 1 Sleeve Bearing