



SPECIFICATION FOR APPROVAL

CUSTOMER :

VENDOR : *MAGIC TECHNOLOGY CO.,LTD.*

PRODUCTS : *FIXED INDUCTOR*

PART NO : *AL0307-Series*

CUST NO :

DATE : *2007.05.18*

SALES DEP : *董冠顯*

E-MAIL : jeffrey@magictec.com.tw

PURCHASER CONFIRMED

APPROVAL NO.	APPROVAL BY	

MAGIC ENGINEER DEPT.

APPROVAL BY	CHECK BY	DRAWN BY
<i>Ben Ten</i>	<i>Lan Feng Zhou</i>	<i>Guo Qiang Tang</i>

美榮科技股份有限公司

總公司: 中和市中正路716號15樓-3

TEL:886-2-8227-3366 FAX:886-2-8227-3377

深圳廠: 廣東省深圳市寶安區沙井鎮后亭工業區

TEL:755-27222227 FAX:755-27222476

蘇州廠: 蘇州市吳中區胥口鎮清明路25號

TEL:512-66218588 FAX:512-6210828

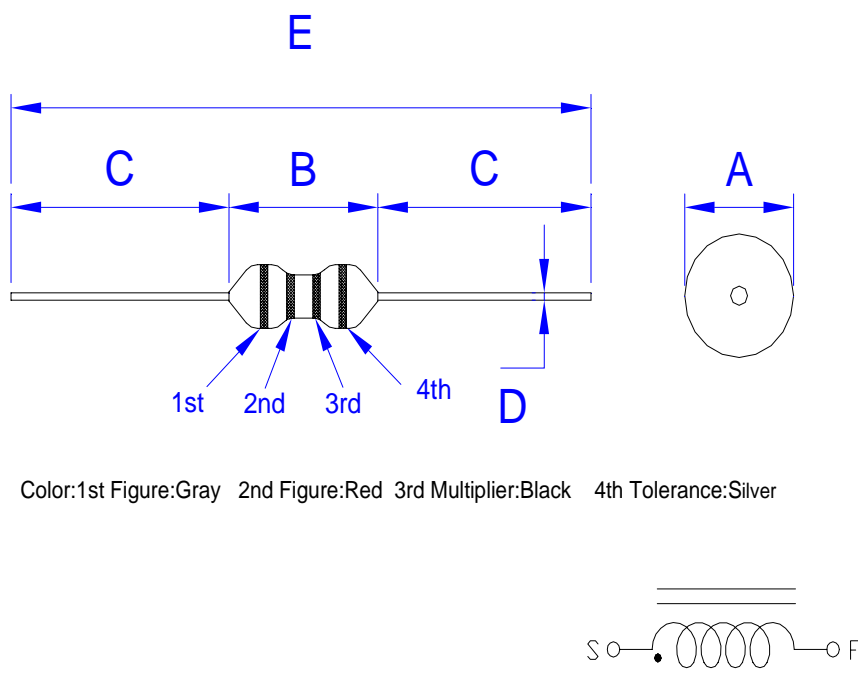
<http://www.magictec.com.tw>

RoHS
COMPLIANT

SPECIFICATION FOR APPROVAL

RoHS
COMPLIANT

CUSTOMER : _____	DATE : 2007.05.18
CUST P/NO : _____	REV NO: : A
MG PART : AL0307-Series	PAGE NO : 2 / 7
MG P/NO : _____	MG NO : _____

1.MECHANICAL & DIMENSIONS	(UNIT: mm)	
 <p style="text-align: center;">Color:1st Figure:Gray 2nd Figure:Red 3rd Multiplier:Black 4th Tolerance:Silver</p> <p style="text-align: center;">Equivalent Circuit</p>	A	3.0(MAX)
	B	7.62(MAX)
	C	28.0±2.0
	D	0.55±0.05
	E	62.0±3.0
	F	
	G	
	H	
	I	
	J	
REMARK		

2.PRODUCT IDENTIFICATION:

AL 0307-820 K-LF
A B C D E

A : Series Name.

B : Dimension.

D : Inductance Tolerance. (for example N=±30%)

C : Inductance. (for example 1R2=1.2 uH **E** : Lead-Free part number.

3.TEMPERATURE RATING:

Operating	-20 ~ 80
-----------	----------

DRAWN BY :	CHECKED BY :	APPROVED BY :
Xiao Yan He	Penny Yong	Ben Ten

SPECIFICATION FOR APPROVAL

RoHS
COMPLIANT

CUSTOMER : _____ DATE : **2007.05.18**
 CUST P/NO : _____ REV NO : **A**
 MG PART : **AL0307-Series** PAGE NO : **3 / 7**
 MG P/NO : _____ MG NO : _____

4.ELECTRICAL REQUIREMENTS:

Part Number	Inductance (uH) /Tolerance (±10%)	Q Value Min.	L,Q Test Frequency (KHz)	SRF(MHz) Min.	DC Resistance ()Max.	Rated DC Current (mA)Max.	Color Code			
							1st	2nd	3rd	4th
AL0307-R10K-LF	0.10	40	25.2	470	0.08	700	Brown	Black	Silver	Silver
AL0307-R12K-LF	0.12	40	25.2	450	0.08	700	Brown	Red	Silver	Silver
AL0307-R15K-LF	0.15	40	25.2	430	0.09	700	Brown	Green	Silver	Silver
AL0307-R18K-LF	0.18	40	25.2	410	0.10	700	Brown	Gray	Silver	Silver
AL0307-R22K-LF	0.22	40	25.2	380	0.12	700	Red	Red	Silver	Silver
AL0307-R27K-LF	0.27	40	25.2	360	0.15	680	Red	Violet	Silver	Silver
AL0307-R33K-LF	0.33	40	25.2	350	0.16	680	Orange	Orange	Silver	Silver
AL0307-R39K-LF	0.39	40	25.2	320	0.18	680	Orange	White	Silver	Silver
AL0307-R47K-LF	0.47	40	25.2	300	0.26	650	Yellow	Violet	Silver	Silver
AL0307-R56K-LF	0.56	40	25.2	280	0.38	500	Green	Blue	Silver	Silver
AL0307-R68K-LF	0.68	40	25.2	250	0.42	500	Blue	Gray	Silver	Silver
AL0307-R82K-LF	0.82	40	25.2	200	0.55	450	Gray	Red	Gold	Silver
AL0307-1R0K-LF	1.00	65	25.2	180	0.12	700	Brown	Black	Gold	Silver
AL0307-1R2K-LF	1.20	50	7.96	165	0.18	740	Brown	Red	Gold	Silver
AL0307-1R5K-LF	1.50	50	7.96	150	0.20	700	Brown	Green	Gold	Silver
AL0307-1R8K-LF	1.80	70	7.96	125	0.23	655	Brown	Gray	Gold	Silver
AL0307-2R2K-LF	2.20	50	7.96	110	0.25	630	Red	Red	Gold	Silver
AL0307-2R7K-LF	2.70	60	7.96	95	0.28	595	Red	Violet	Gold	Silver
AL0307-3R3K-LF	3.30	60	7.96	75	0.30	575	Orange	Orange	Gold	Silver
AL0307-3R9K-LF	3.90	60	7.96	65	0.32	555	Orange	White	Gold	Silver
AL0307-4R7K-LF	4.70	50	7.96	50	0.35	530	Yellow	Violet	Gold	Silver
AL0307-5R6K-LF	5.60	50	7.96	40	0.40	500	Green	Blue	Gold	Silver
AL0307-6R8K-LF	6.80	50	7.96	30	0.45	470	Blue	Gray	Gold	Silver
AL0307-8R2K-LF	8.20	50	7.96	28	0.55	425	Gray	Red	Gold	Silver

Rated DC Current:It is either the inductance is 10%,Lower than its initial value in D.C.saturation characteristics or temperature raise becomes $T=20$ ($T_a=20$),whichever is lower.

DRAWN BY :	CHECKED BY :	APPROVED BY :
Xiao Yan He	Penny Yong	Ben Ten

MAGIC TECHNOLOGY / TAIPEI / TEL: 886-2-82273366 / FAX: 886-2-82273377

CHINA FACTORY / TEL: 86-755-27222227 / FAX: 86-755-27222476

QWRD10承認書B

SPECIFICATION FOR APPROVAL

**RoHS
COMPLIANT**

CUSTOMER : _____
 CUST P/NO : _____
 MG PART : AL0307-Series
 MG P/NO : _____

DATE : 2007.05.18
 REV NO: : A
 PAGE NO : 4 / 7
 MG NO : _____

4.ELECTRICAL REQUIREMENTS:

Part Number	Inductance (μ H) /Tolerance ($\pm 10\%$)	Q Value Min.	L,Q Test Frequency (KHz)	SRF (MHz) Min.	DC Resistance ()Max.	Rated DC Current (mA)Max.	Color Code			
							1st	2nd	3rd	4th
AL0307-100K-LF	10	50	7.96	22	0.72	370	Brown	Black	Black	Silver
AL0307-120K-LF	12	50	2.52	20	0.80	350	Brown	Red	Black	Silver
AL0307-150K-LF	15	50	2.52	16	0.88	335	Brown	Green	Black	Silver
AL0307-180K-LF	18	50	2.52	15	1.00	315	Brown	Gray	Black	Silver
AL0307-220K-LF	22	60	2.52	13	1.20	285	Red	Red	Black	Silver
AL0307-270K-LF	27	60	2.52	11	1.35	270	Red	Violet	Black	Silver
AL0307-330K-LF	33	50	2.52	10	1.50	255	Orange	Orange	Black	Silver
AL0307-390K-LF	39	50	2.52	9.50	1.70	240	Orange	White	Black	Silver
AL0307-470K-LF	47	60	2.52	8.50	2.30	205	Yellow	Violet	Black	Silver
AL0307-560K-LF	56	60	2.52	7.50	2.60	195	Green	Blue	Black	Silver
AL0307-680K-LF	68	60	2.52	6.50	2.90	185	Blue	Gray	Black	Silver
AL0307-820K-LF	82	55	2.52	6.00	3.20	175	Gray	Red	Black	Silver
AL0307-101K-LF	100	60	2.52	5.50	3.50	165	Brown	Black	Brown	Silver
AL0307-121K-LF	120	75	0.796	5.40	3.80	160	Brown	Red	Brown	Silver
AL0307-151K-LF	150	75	0.796	4.75	4.40	150	Brown	Green	Brown	Silver
AL0307-181K-LF	180	75	0.796	4.35	5.00	140	Brown	Gray	Brown	Silver
AL0307-221K-LF	220	75	0.796	4.00	5.70	130	Red	Red	Brown	Silver
AL0307-271K-LF	270	70	0.796	3.70	6.50	120	Red	Violet	Brown	Silver
AL0307-331K-LF	330	70	0.796	3.40	9.50	100	Orange	Orange	Brown	Silver
AL0307-391K-LF	390	70	0.796	2.80	10.50	95	Orange	White	Brown	Silver
AL0307-471K-LF	470	70	0.796	2.55	12.50	90	Yellow	Violet	Brown	Silver
AL0307-561K-LF	560	70	0.796	2.35	14.50	85	Green	Blue	Brown	Silver
AL0307-681K-LF	680	70	0.796	2.00	18.00	75	Blue	Gray	Brown	Silver
AL0307-821K-LF	820	60	0.796	1.60	23.70	65	Gray	Red	Brown	Silver
AL0307-102K-LF	1000	60	0.796	1.20	30.00	60	Brown	Black	Brown	Silver

Rated DC Current:It is either the inductance is 10%,Lower than its initial value in D.C.saturation characteristics or temperature raise becomes $T=20$ ($T_a=20$),whichever is lower.

DRAWN BY :	CHECKED BY :	APPROVED BY :
Xiao Yan He	Penny Yong	Ben Ten

MAGIC TECHNOLOGY / TAIPEI / TEL: 886-2-82273366 / FAX: 886-2-82273377

CHINA FACTORY / TEL: 86-755-27222227 / FAX: 86-755-27222476

CUSTOMER : _____	DATE : 2007.05.18
CUST P/NO : _____	REV NO: : A
MG PART : AL0307-Series	PAGE NO : 5 / 7
MG P/NO : _____	MG NO : _____

5. SOLDERING CONDITIONS

Figure 1. Wave Soldering

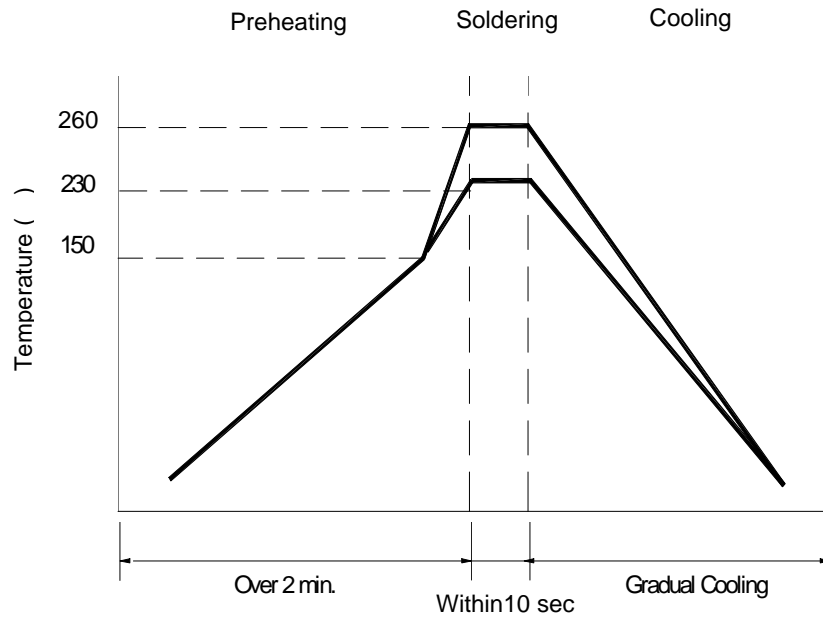
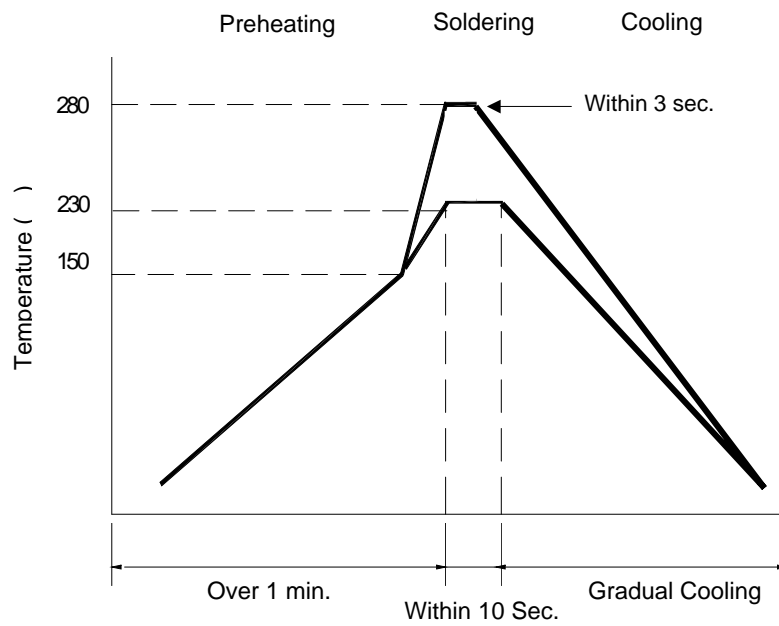


Figure 2. Hand Soldering



SPECIFICATION FOR APPROVAL

**RoHS
COMPLIANT**

CUSTOMER : _____ DATE : **2007.05.18**
 CUST P/NO : _____ REV NO: : **A**
 MG PART : **AL0307-Series** PAGE NO : **6 / 7**
 MG P/NO : _____ MG NO : _____

6.MATERIAL IDENTIFICATION

Item	Specification	Conditions															
Solderbility	More than 90% of the terminal electrode should be covered with solder.	<p>Unit: Second</p>															
Solder Heat Resistance	Inductance within $\pm 20\%$ of initial value and appearance shall not break.	<p>Unit: Second</p>															
Heat resistance	Inductance within $\pm 20\%$ of initial value. No disconnection or short circuit. Appearance shall not break.	After 96 hours in 125 ± 5 and 1 hour drying under normal condition.															
Cold resistance	Inductance within $\pm 20\%$ of initial value. No disconnection or short circuit. Appearance shall not break.	After 96 hours in -40 ± 5 and 1 hour drying under normal condition.															
Thermal shock	Inductance within $\pm 20\%$ of initial value. No disconnection or short circuit. Appearance shall not break.	After 5 cycles of following condition. <table border="1"> <thead> <tr> <th>Step</th> <th>Temperature ()</th> <th>Times (min.)</th> </tr> </thead> <tbody> <tr> <td>1</td> <td>-40 ± 5</td> <td>30</td> </tr> <tr> <td>2</td> <td>Room Temperature</td> <td>Within 3</td> </tr> <tr> <td>3</td> <td>125 ± 5</td> <td>30</td> </tr> <tr> <td>4</td> <td>Room Temperature</td> <td>Within 3</td> </tr> </tbody> </table>	Step	Temperature ()	Times (min.)	1	-40 ± 5	30	2	Room Temperature	Within 3	3	125 ± 5	30	4	Room Temperature	Within 3
Step	Temperature ()	Times (min.)															
1	-40 ± 5	30															
2	Room Temperature	Within 3															
3	125 ± 5	30															
4	Room Temperature	Within 3															
Humidity Resistance	Inductance within $\pm 20\%$ of initial value. No disconnection or short circuit. Appearance shall not break.	After 96 hours in 40 ± 5 and 90 to 95% humidity , and 1 hour drying under normal condition.															

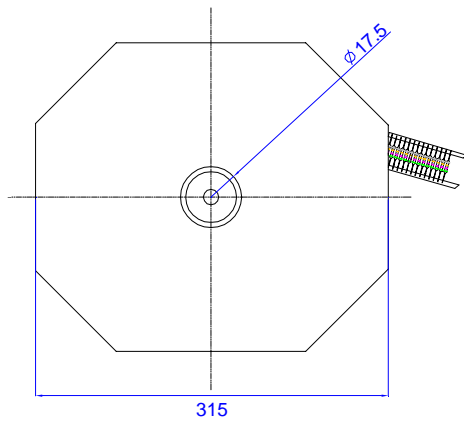
SPECIFICATION FOR APPROVAL

RoHS
COMPLIANT

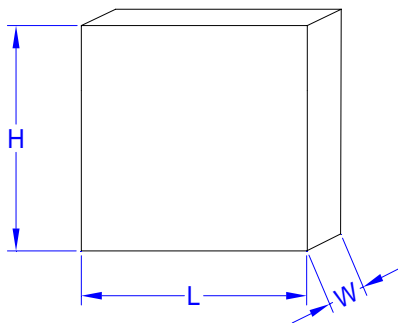
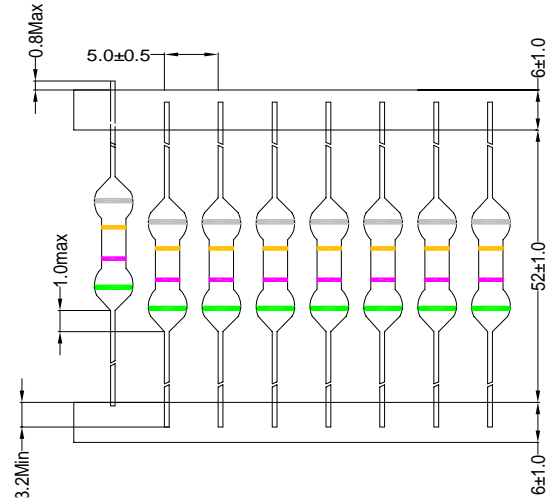
CUSTOMER : _____
 CUST P/NO : _____
 MG PART : AL0307-Series
 MG P/NO : _____

DATE : 2007.05.18
 REV NO: : A
 PAGE NO : 7/7
 MG NO : _____

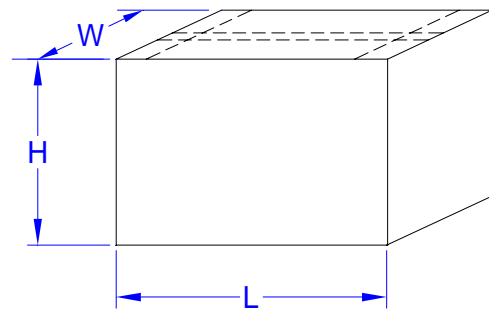
7.PACKAGING



單包數量: 2000pcs/卷



內盒規格: 360(L)*360(L)*90(W)m/m
 每盒數量: 2000PCS/盒



外箱規格: 380(L)*380(W)*460(H)m/m
 每箱數量: 2000PCS*25=50Kpcs/箱

Storage

1. Temperature and humidity conditions: Less than 40 and 70% RH.
2. Recommended products should be used within 6 months form the time of delivery.
3. The packaging material should be kept where no chlorine or sulfur exists in the air.

Transportation

1. Products should be handled with care to avoid damage or contamination from perspiration and skin oils.
2. The use of tweezers or vacuum pick up is strongly recommended for individual components.
3. Bulk handling should ensure that abrasion and mechanical shock are minimized.

DRAWN BY :	CHECKED BY :	APPROVED BY :
Guo Qiang Tang	Lan Feng Zhou	Ben Ten

MAGIC TECHNOLOGY / TAIPEI / TEL: 886-2-82273366 / FAX: 886-2-82273377

CHINA FACTORY / TEL: 86-755-27222227 / FAX: 86-755-27222476

QWRD10承認書B

Test Report

No.: GZ0603038659/CHEM

Date: APR 06, 2006

Page 1 of 2

HI& NEW INDUSTRIAL AREA HENGJI ELECTRONICS CO., LTD. OF ZHUHAI
B&T COILS ELECTRONICS CO., LTD. (ZHU HAI)
BAO LI HENG ELECTRONICS INDUSTRIAL CITY, NO.118, DONG CHENG ROAD, XIAO LIN,
JIN WAN DISTRICT, ZHU HAI CITY

Report on the submitted sample said to be 色码电感器

SGS Ref No. : GZ060307725EC-2.1
Sample Receiving Date : MAR 24, 2006
Further Information Receiving Date : MAR 27, 2006
Testing Period : MAR 24, 2006 TO APR 06, 2006

Test Requested : (1) As specified by client, to determine the Lead, Cadmium, Mercury & Hexavalent Chromium content in the submitted sample.
(2) Determination of PBBs (Polybrominated Biphenyls), PBDEs (Polybrominated Diphenylethers) of the submitted sample.

Test Method : (1) Lead content - With reference to EPA method 3050B: 1996 / other acid digestion.
Cadmium content - With reference to BS EN1122: 2001 method B / other acid digestion.
Mercury content - With reference to EPA 3052: 1996 / 7473: 1998 / other acid digestion.
Hexavalent Chromium content - With reference to EPA 3060A : 1996 & EPA 7196A : 1992.
Analysis was performed by Atomic Absorption Spectrometer / Inductively Coupled Plasma Atomic Emission Spectrometer (ICP-AES) / Direct Mercury analyzer / UV-VIS Spectrophotometer.
(2) With reference to EPA 3540C / 3550C. Analysis was performed by GC/MS.

Results : Please refer to next page.

Signed for and on behalf of
SGS-CSTC Ltd.


Zhang Li, Amy
Sr. Engineer

This Test Report is issued by the Company subject to its General Conditions of Service printed overleaf or attached. Said Conditions are also available upon request or are accessible at www.sgs.com. Attention is drawn to the limitations of liability, indemnification and jurisdictional policies defined therein. The results shown in this Test Report refer only to the sample(s) tested unless otherwise stated and such sample(s) are retained for 90 days only. This Test Report shall not be reproduced except in full, without written approval of the Company.

SGS-CSTC Standards Technical Services Co., Ltd.
Guangzhou Calibration & Chemical Laboratory

198 XEZHU Road, SCIENTECH Park Guangzhou Economic & Technology Development District, Guangzhou, China 510663

t (86-20)82155555 f (86-20)82075113

www.cn.sgs.com

中国·广州·经济技术开发区科学城科珠路198号 邮编: 510663

t (86-20)82155555 f (86-20)82075113

e sgs.china@sgs.com

GZCM 539955

Test Report

No.: GZ0603038659/CHEM

Date: APR 06, 2006

Page 2 of 2

Results :

(1)

Item	Unit	MDL	No.1	No.2	No.3	No.4
Lead Content (Pb)	ppm	2	N.D.	10	47	15
Cadmium Content (Cd)	ppm	2	N.D.	N.D.	N.D.	N.D.
Mercury Content (Hg)	ppm	2	N.D.	N.D.	N.D.	N.D.
Hexavalent Chromium Content [Cr(VI)]	ppm	2	N.D.	N.D.	N.D.	N.D.

Note : - N.D. = Not Detected (< MDL)
 - MDL = Method Detection Limit
 - ppm = mg/kg

(2)

	No.1	No.2	No.3	No.4
Flame Retardants				
Polybrominated Biphenyls (PBBs)				
Monobromobiphenyl	N.D.	N.D.	N.D.	N.D.
Dibromobiphenyl	N.D.	N.D.	N.D.	N.D.
Tribromobiphenyl	N.D.	N.D.	N.D.	N.D.
Tetrabromobiphenyl	N.D.	N.D.	N.D.	N.D.
Pentabromobiphenyl	N.D.	N.D.	N.D.	N.D.
Hexabromobiphenyl	N.D.	N.D.	N.D.	N.D.
Heptabromobiphenyl	N.D.	N.D.	N.D.	N.D.
Octabromobiphenyl	N.D.	N.D.	N.D.	N.D.
Nonabromobiphenyl	N.D.	N.D.	N.D.	N.D.
Decabromodiphenyl	N.D.	N.D.	N.D.	N.D.
Polybrominated Diphenylethers (PBDEs)				
Monobromodiphenyl ether	N.D.	N.D.	N.D.	N.D.
Dibromodiphenyl ether	N.D.	N.D.	N.D.	N.D.
Tribromodiphenyl ether	N.D.	N.D.	N.D.	N.D.
Tetrabromodiphenyl ether	N.D.	N.D.	N.D.	N.D.
Pentabromodiphenyl ether	N.D.	N.D.	N.D.	N.D.
Hexabromodiphenyl ether	N.D.	N.D.	N.D.	N.D.
Heptabromodiphenyl ether	N.D.	N.D.	N.D.	N.D.
Octabromodiphenyl ether	N.D.	N.D.	N.D.	N.D.
Nonabromodiphenyl ether	N.D.	N.D.	N.D.	N.D.
Decabromodiphenyl ether	N.D.	N.D.	N.D.	N.D.

Note : - N.D. = Not Detected (< 5 ppm)
 - ppm = mg/kg

Specimen Description:

- No.1 Green wet paint
- No.2 Coppery metal wire
- No.3 Dk-grey core
- No.4 Silvery metal pin

*** End of Report ***

This Test Report is issued by the Company subject to its General Conditions of Service printed overleaf or attached. Said Conditions are also available upon request or are accessible at www.sgs.com. Attention is drawn to the limitations of liability, indemnification and jurisdictional policies defined therein. The results shown in this Test Report refer only to the sample(s) tested unless otherwise stated and such sample(s) are retained for 90 days only. This Test Report shall not be reproduced except in full, without written approval of the Company.

GZCM 539956



测试报告

编号: GZ0603038660/CHEM

日期: 2006年4月6日

页码 1 of 2

珠海市有利线圈电子有限公司
珠海高新区恒基电子有限公司
珠海市金湾区红旗镇小林东成路 118 号

本报告是基于所提供的名称为“色码电感器”的样品所做的测试


SGS 参考编号 : GZ060307725EC-2.2
收板日期 : 2006年3月24日
信息确认日期 : 2006年3月27日
测试日期 : 2006年3月24日至2006年4月6日

测试要求 : (1)委托测试样品中的铅, 镉, 汞和六价铬含量。
(2)委托测试样品中的多溴联苯, 多溴联苯醚的含量。

测试方法 : (1)铅含量 - 参照 EPA 方法 3050B:1996/其它酸消解。
镉含量 - 参照 BS EN1122:2001 方法 B/其它酸消解。
汞含量 - 参照 EPA 方法 3052:1996/7473:1998/其它酸消解。
六价铬含量 - 参照 EPA 方法 3060A:1996 和 7196A:1992。
分析仪器为火焰原子吸收光谱仪(AAS)/电感耦合等离子体发射光谱仪(ICP-AES)/测汞仪/紫外分光光度计(UV-Vis)。
(2)参照 EPA 3540C/3550C。分析仪器为 GC/MS。

测试结果: 请参见下一页

Signed for and on behalf of
SGS-CSTC Ltd.


Zhang Li, Amy
Sr. Engineer

This Test Report is issued by the Company subject to its General Conditions of Service printed overleaf or attached. Said Conditions are also available upon request or are accessible at www.sgs.com. Attention is drawn to the limitations of liability, indemnification and jurisdictional policies defined therein. The results shown in this Test Report refer only to the sample(s) tested unless otherwise stated and such sample(s) are retained for 90 days only. This Test Report shall not be reproduced except in full, without written approval of the Company.

SGS-CSTC Standards Technical Services Co., Ltd. 198 NEZHU Road, SCIENTECH Park Guangzhou Economic & Technology Development District, Guangzhou, China 510663 t (86-20)82155555 f (86-20)82075113 www.cn.sgs.com
Guangzhou Industrial Laboratory. 中国·广州·经济技术开发区科学城科珠路198号 邮编: 510663 t (86-20)82155555 f (86-20)82075113 e sgs.china@sgs.com

GZCM 539957

Member of SGS Group (Société Générale de Surveillance)

测试报告

编号: GZ0603038660/CHEM

日期: 2006年4月6日

页码 2 of 2

测试结果:

(1)

项目	单位	MDL	No.1	No.2	No.3	No.4
铅含量 (Pb)	ppm	2	N.D.	10	47	15
镉含量 (Cd)	ppm	2	N.D.	N.D.	N.D.	N.D.
汞含量 (Hg)	ppm	2	N.D.	N.D.	N.D.	N.D.
六价铬含量 [Cr(VI)]	ppm	2	N.D.	N.D.	N.D.	N.D.

说明: -N.D.= 未检出 (< MDL)
 -MDL = 方法检测限
 -ppm = 毫克/千克

(2)

	No.1	No.2	No.3	No.4
阻燃剂				
多溴联苯 (PBBs)				
单溴联苯	N.D.	N.D.	N.D.	N.D.
二溴联苯	N.D.	N.D.	N.D.	N.D.
三溴联苯	N.D.	N.D.	N.D.	N.D.
四溴联苯	N.D.	N.D.	N.D.	N.D.
五溴联苯	N.D.	N.D.	N.D.	N.D.
六溴联苯	N.D.	N.D.	N.D.	N.D.
七溴联苯	N.D.	N.D.	N.D.	N.D.
八溴联苯	N.D.	N.D.	N.D.	N.D.
九溴联苯	N.D.	N.D.	N.D.	N.D.
十溴联苯	N.D.	N.D.	N.D.	N.D.
多溴联苯醚 (PBDEs)				
单溴联苯醚	N.D.	N.D.	N.D.	N.D.
二溴联苯醚	N.D.	N.D.	N.D.	N.D.
三溴联苯醚	N.D.	N.D.	N.D.	N.D.
四溴联苯醚	N.D.	N.D.	N.D.	N.D.
五溴联苯醚	N.D.	N.D.	N.D.	N.D.
六溴联苯醚	N.D.	N.D.	N.D.	N.D.
七溴联苯醚	N.D.	N.D.	N.D.	N.D.
八溴联苯醚	N.D.	N.D.	N.D.	N.D.
九溴联苯醚	N.D.	N.D.	N.D.	N.D.
十溴联苯醚	N.D.	N.D.	N.D.	N.D.

说明: - N.D. = 未检出 (< 5 ppm)
 - ppm = 毫克/千克
 - 本测试报告内容是参照报告编号为 GZ0603038659/CHEM 的中文译本,
 中英文版本如有歧异, 概以英文版为准。

样品描述:

- No.1 绿色油漆
- No.2 铜色金属线
- No.3 深灰色磁芯
- No.4 银色金属脚

*** 报告完 ***

This Test Report is issued by the Company subject to its General Conditions of Service printed overleaf or attached. Said Conditions are also available upon request or are accessible at www.sgs.com. Attention is drawn to the limitations of liability, indemnification and jurisdictional policies defined therein. The results shown in this Test Report refer only to the sample(s) tested unless otherwise stated and such sample(s) are retained for 90 days only. This Test Report shall not be reproduced except in full, without written approval of the Company.

GZCM 539958

SGS-CTC Standards Technical Services Co., Ltd. | 181 NEZHU Road, SCIENTECH Park Guangzhou Economic & Technology Development District, Guangzhou, China 510663 | t (86-20)82155555 f (86-20)82075113 www.cn.sgs.com
 Guangzhou Environmental Laboratory. | 中国·广州·经济技术开发区科学城科珠路198号 邮编: 510663 | t (86-20)82155555 f (86-20)82075113 e sgs.china@sgs.com

Member of SGS Group (Société Générale de Surveillance)