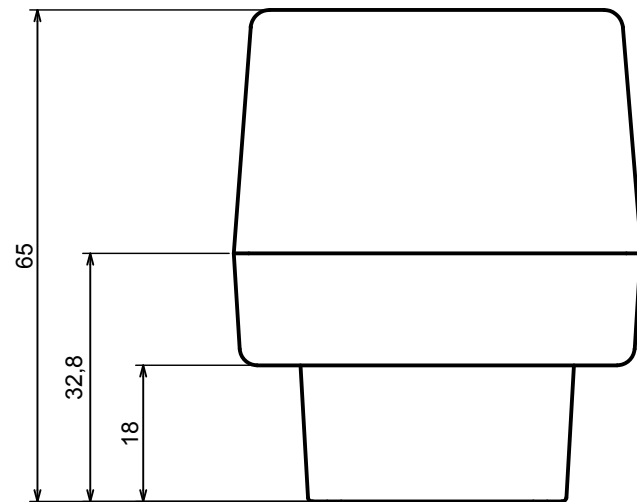
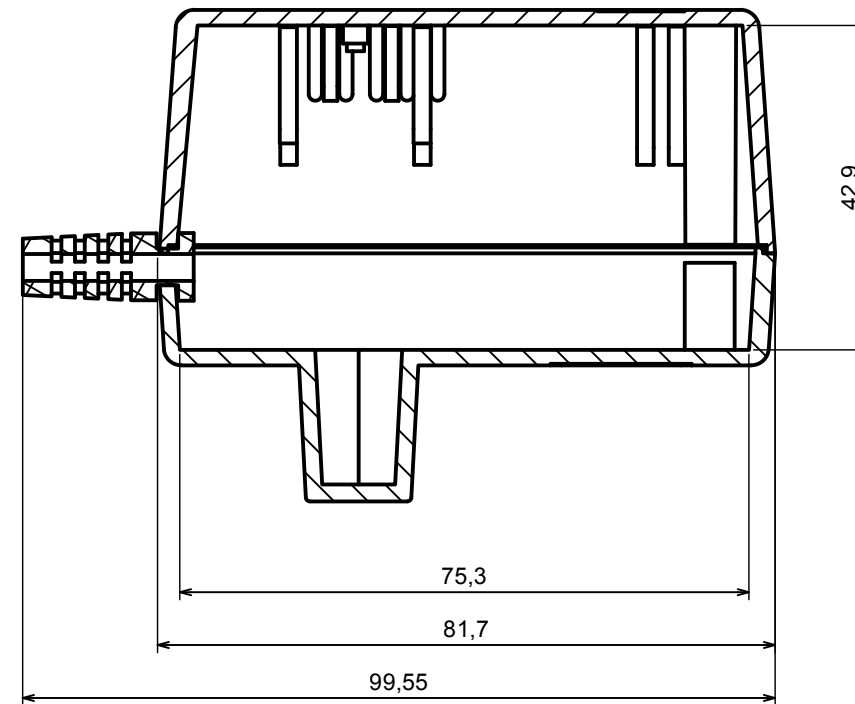


A |



A |

A-A



All rights reserved, Copyright Kradox 2018

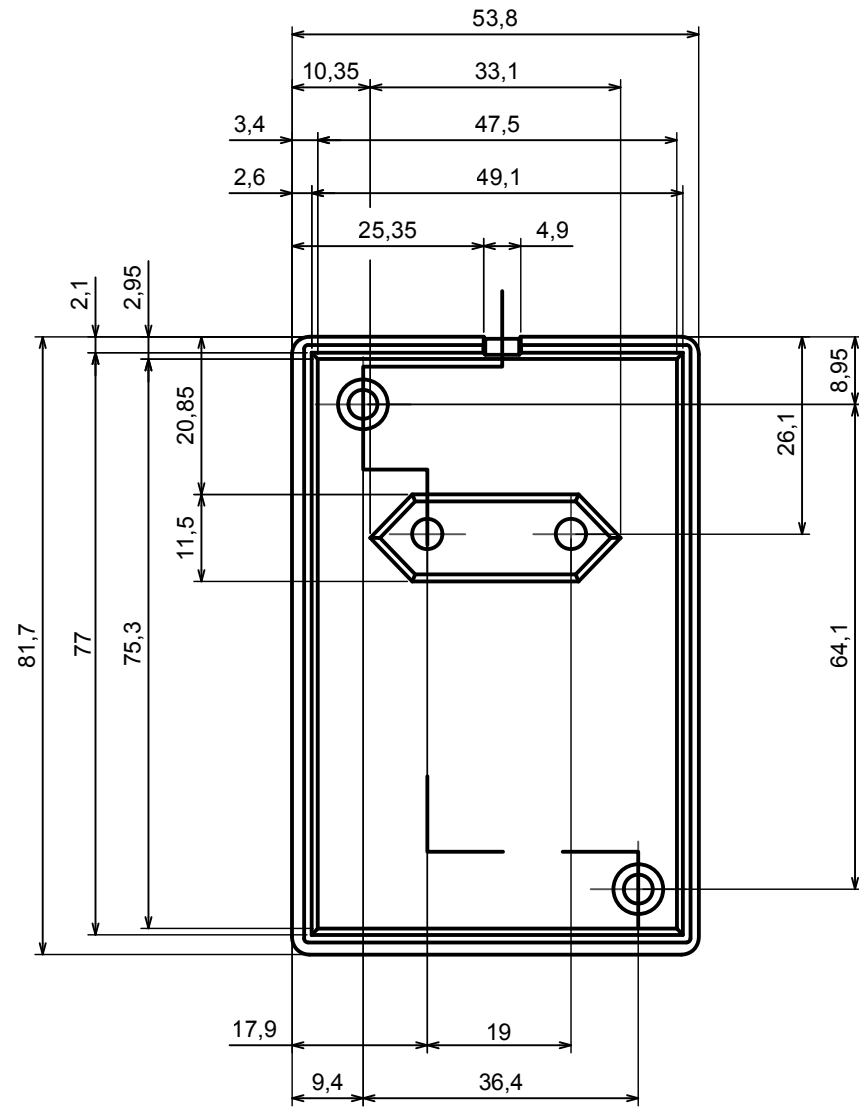
Product model Enclosure Z10A - Assembly

Format: A3 Material: PS, ABS

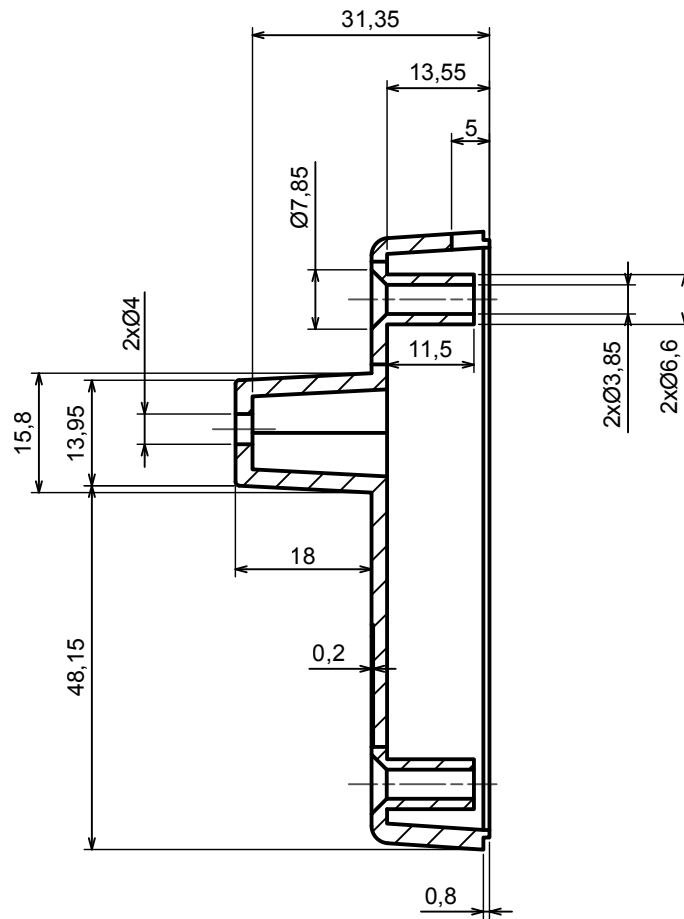
Scale 1:1 Tolerance: +/- 0.5



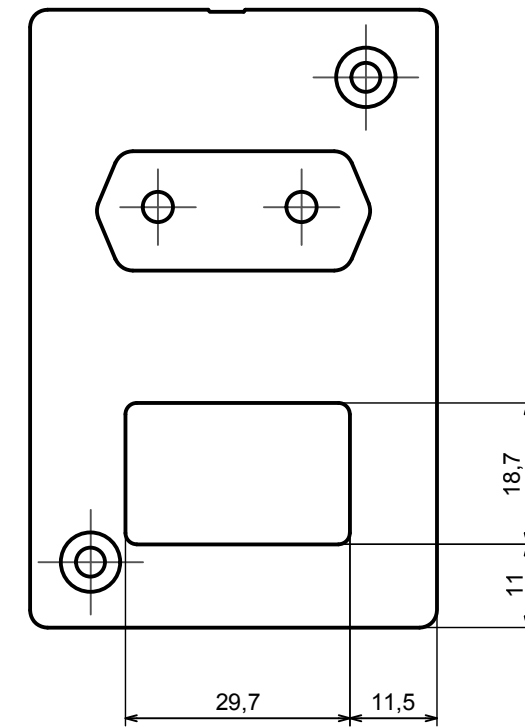
B |



B-B



B |



All rights reserved, Copyright Kradox 2018

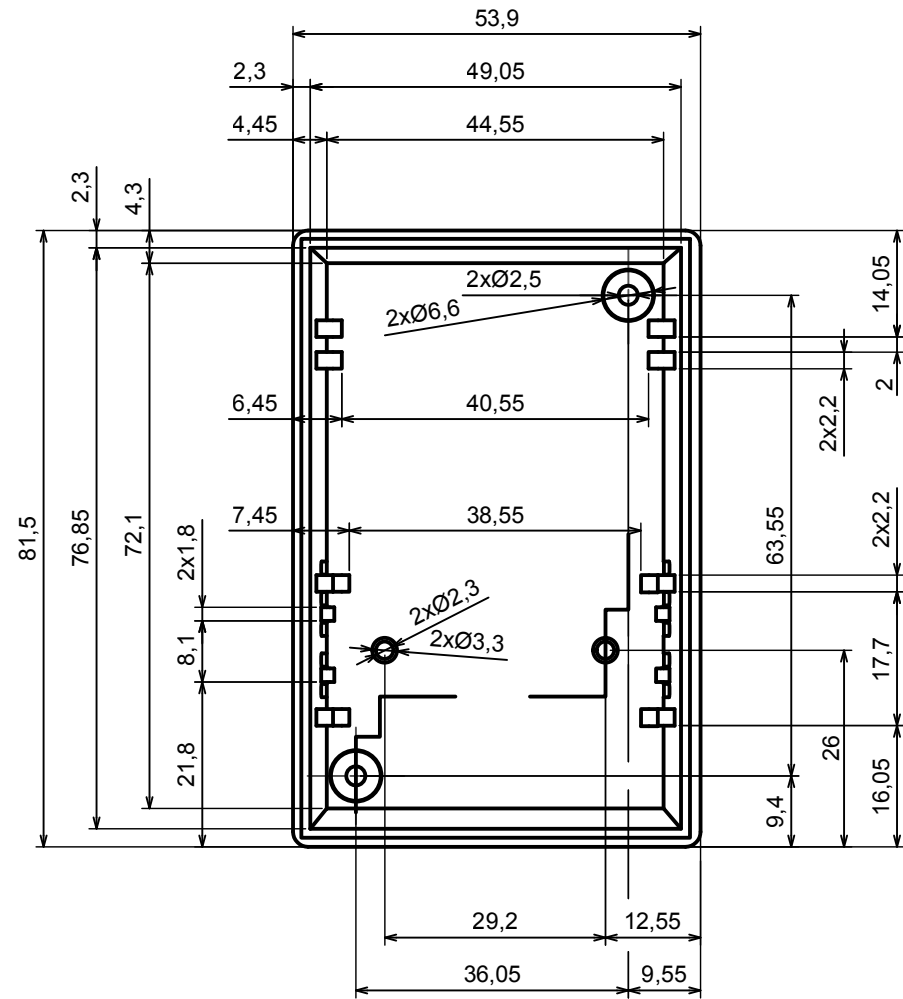
Product model: Enclosure Z10A - Base

Format: A3 Material: PS, ABS

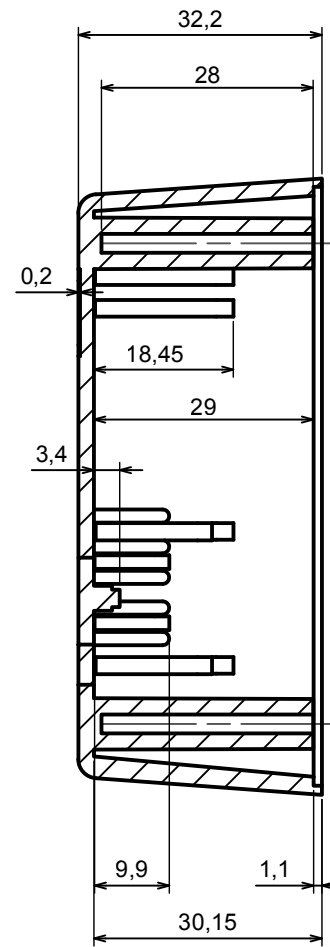
Scale 1:1 Tolerance: +/- 0.5



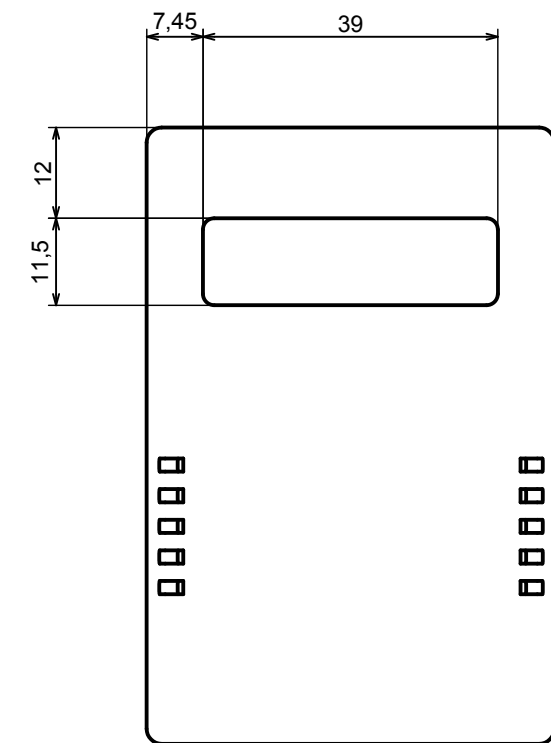
c |



C-C



c |



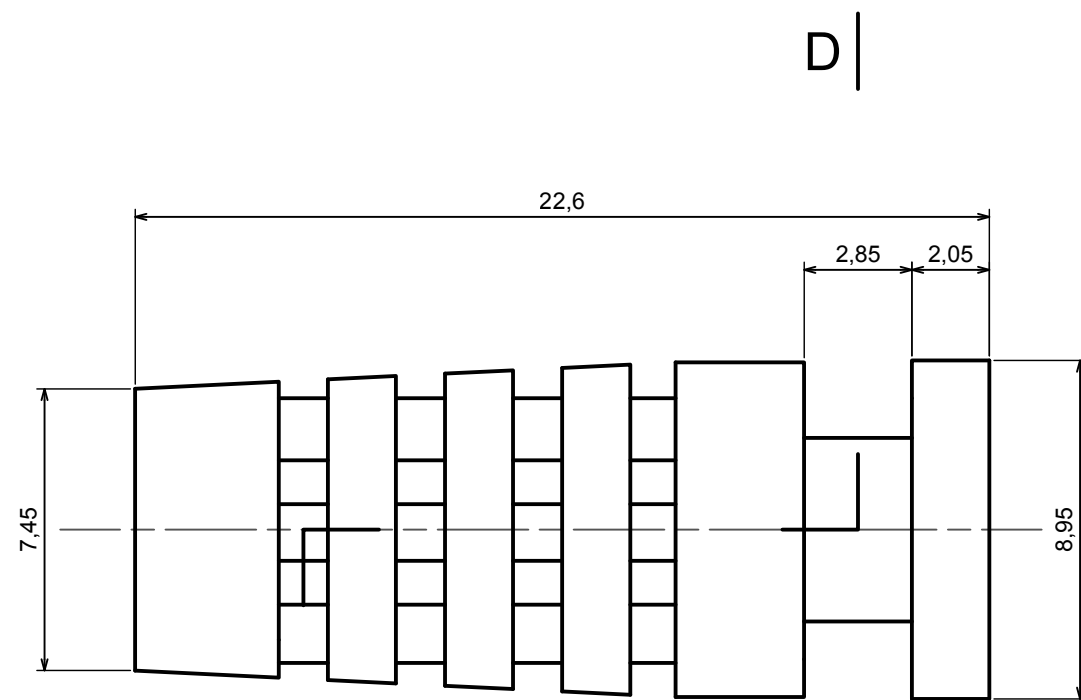
All rights reserved, Copyright Kradex 2018

Product model Enclosure Z10A - Cover

Format: A3 Material: PS, ABS

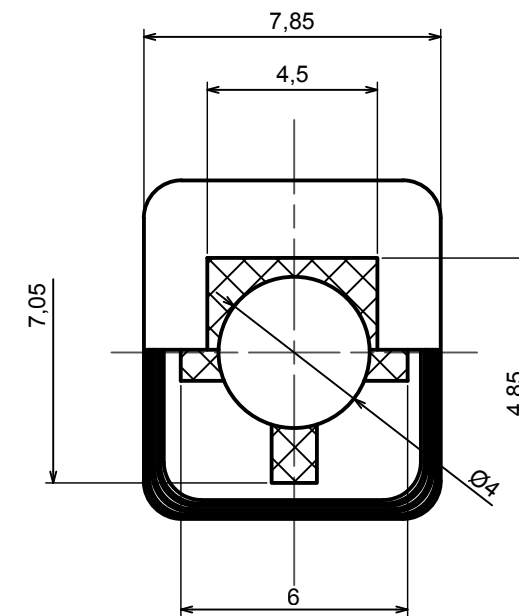
Scale 1:1 Tolerance: +/- 0.5





D |

D-D



All rights reserved, Copyright Kradox 2016

Product model Bend protector $\varnothing 4$

Format: A3 Material: Rubber

Scale 5:1 Tolerance: +/- 0.8

