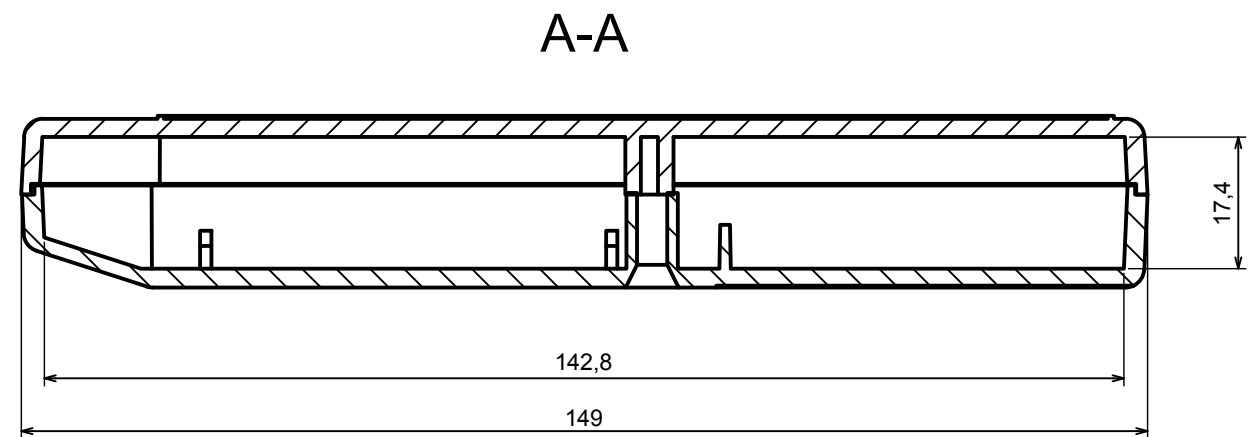


A |



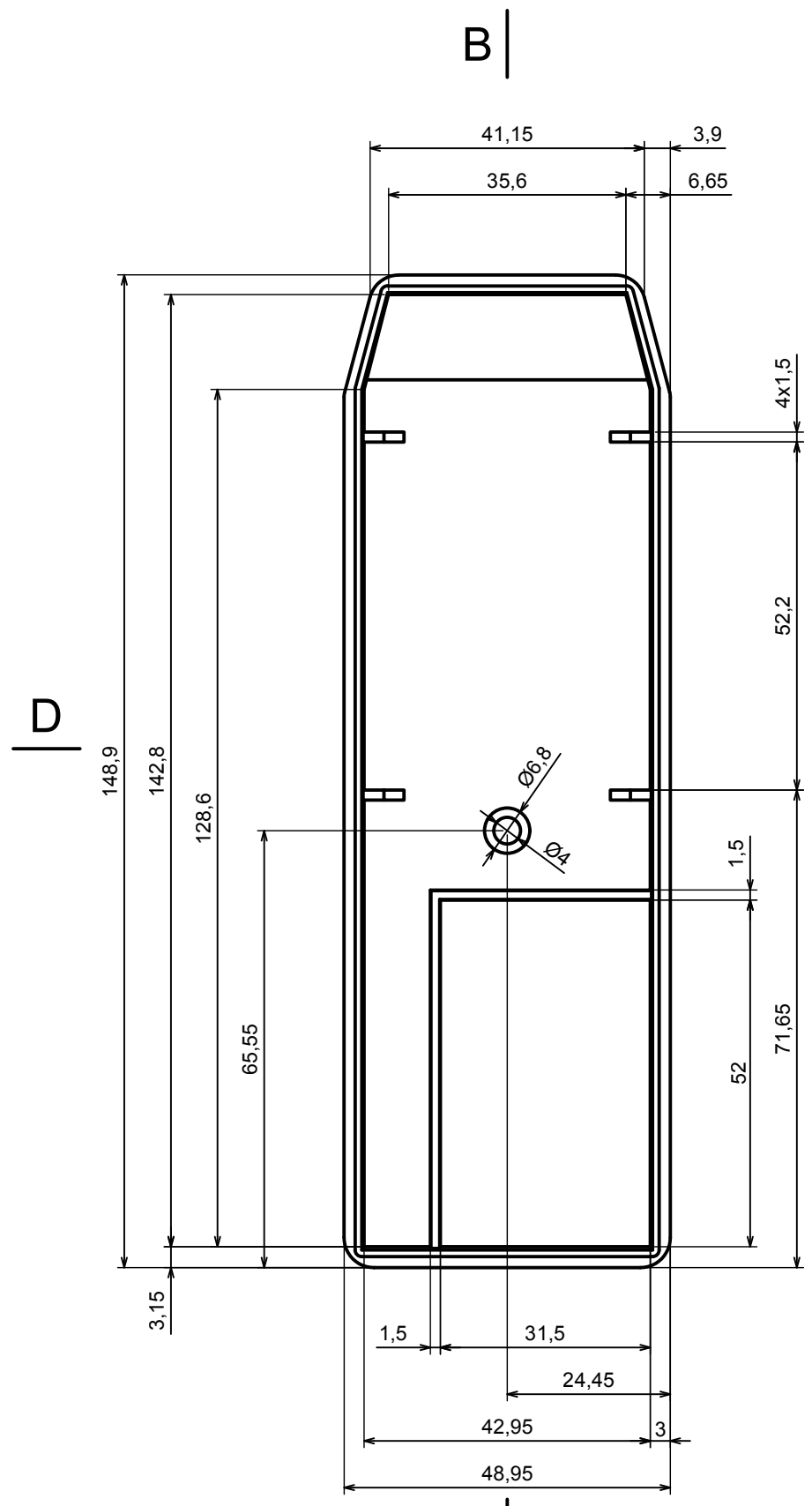
All rights reserved, Copyright Kradex 2018

Product model    Enclosure Z14 - Assembly

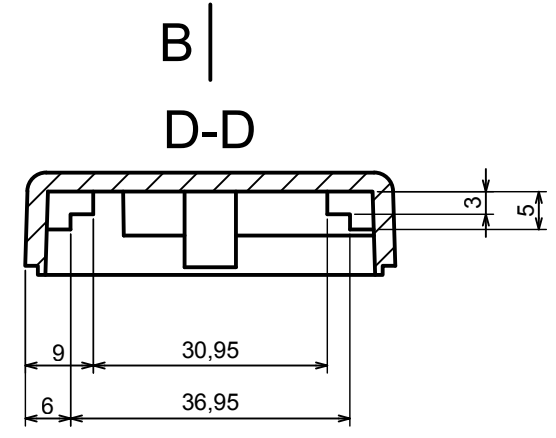
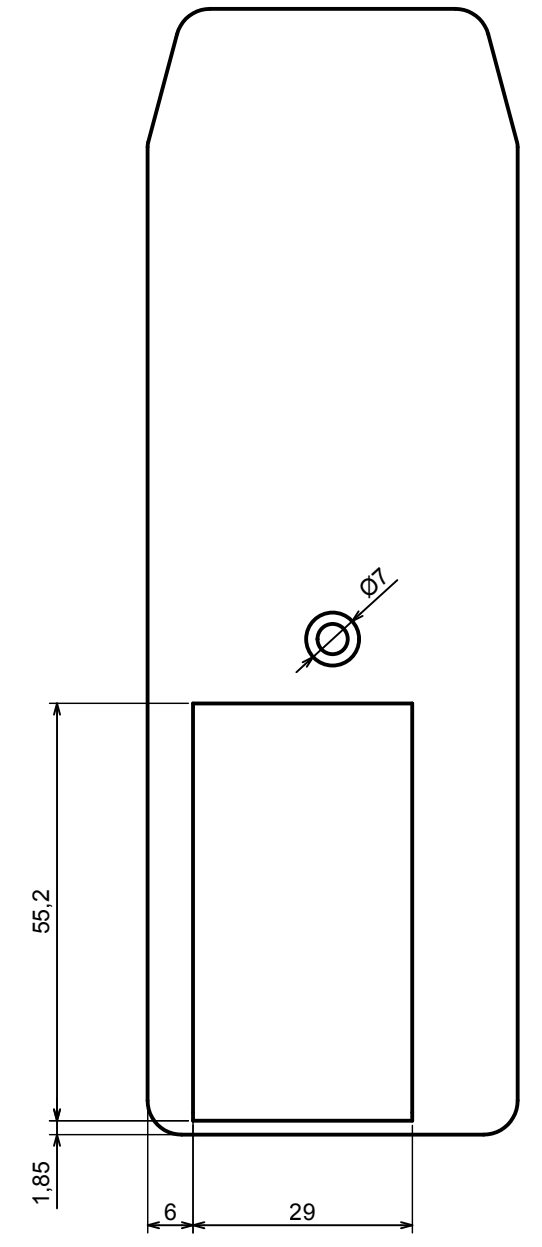
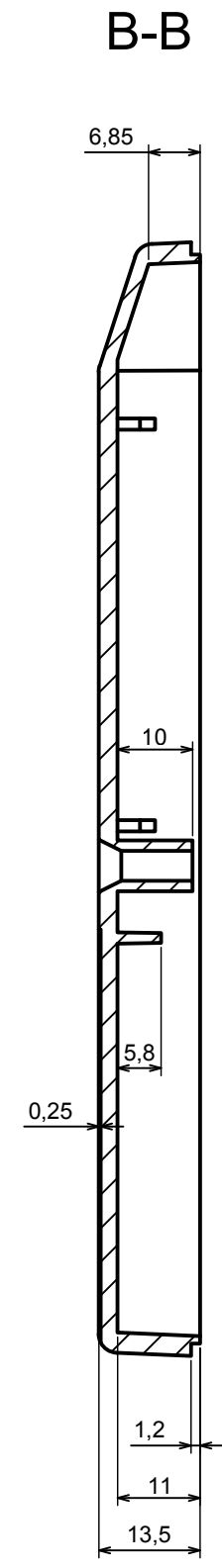
Format: A3    Material: PS, ABS

Scale 1:1    Tolerance: +/- 0.5



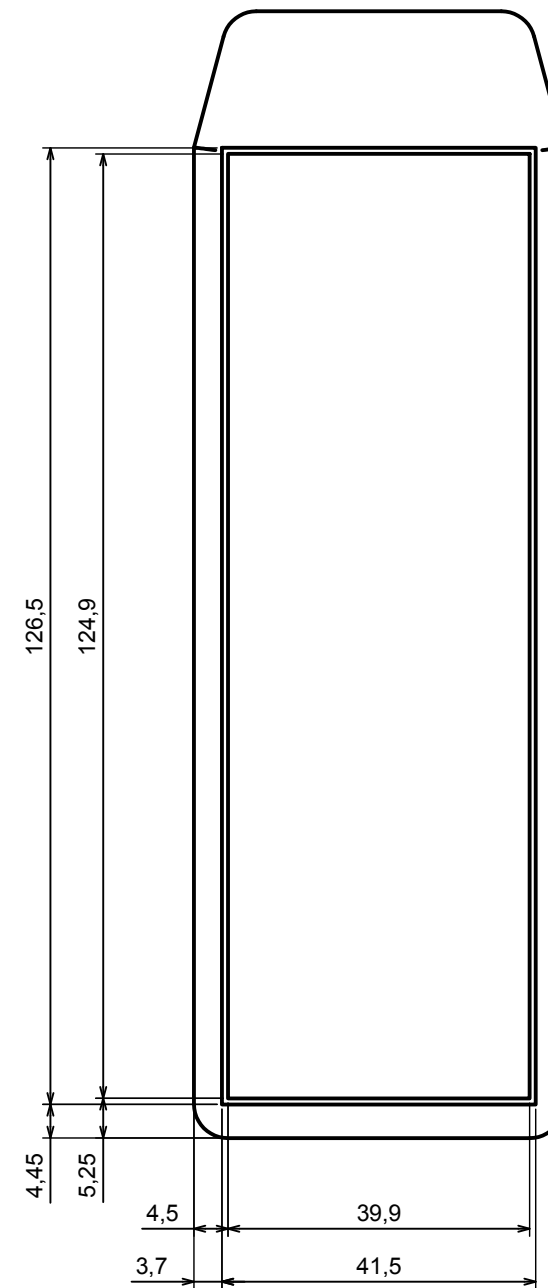
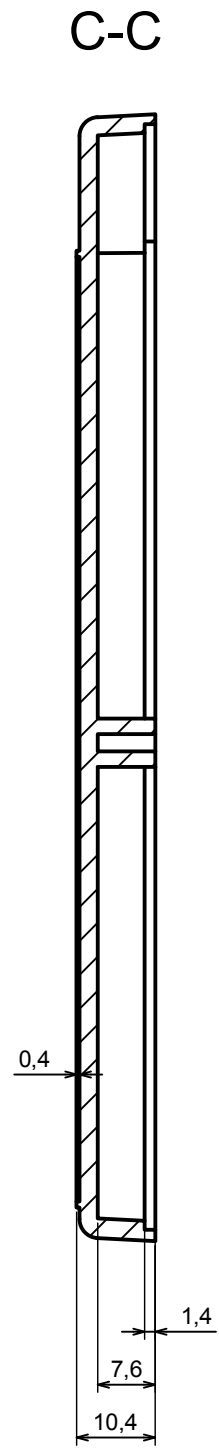
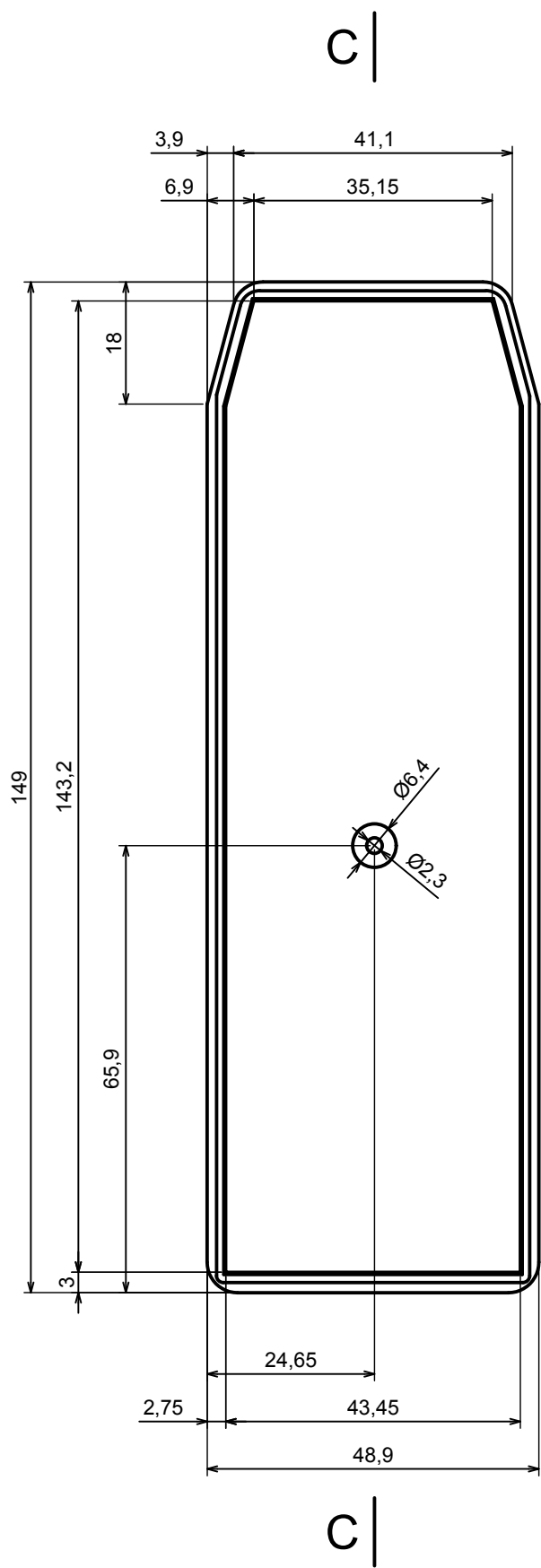


**D**



All rights reserved, Copyright Kradox 2018	
Product model	Enclosure Z14 - Base
Format: A3	Material: PS, ABS
Scale 1:1	Tolerance: +/- 0.5





All rights reserved, Copyright Kradox 2018

Product model: Enclosure Z14 - Cover

Format: A3 | Material: PS, ABS

Scale 1:1 | Tolerance: +/- 0.5

