
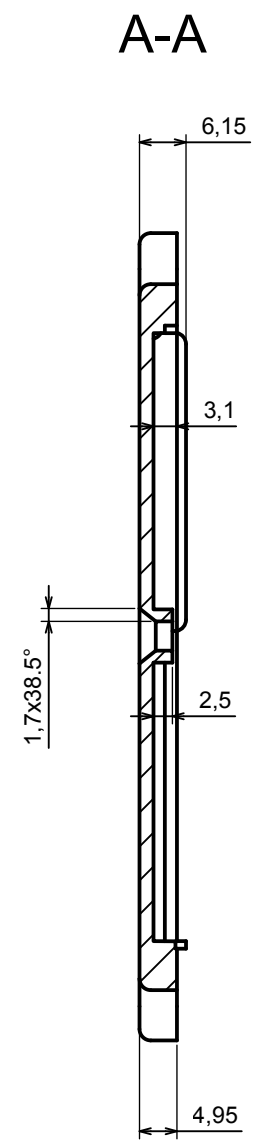
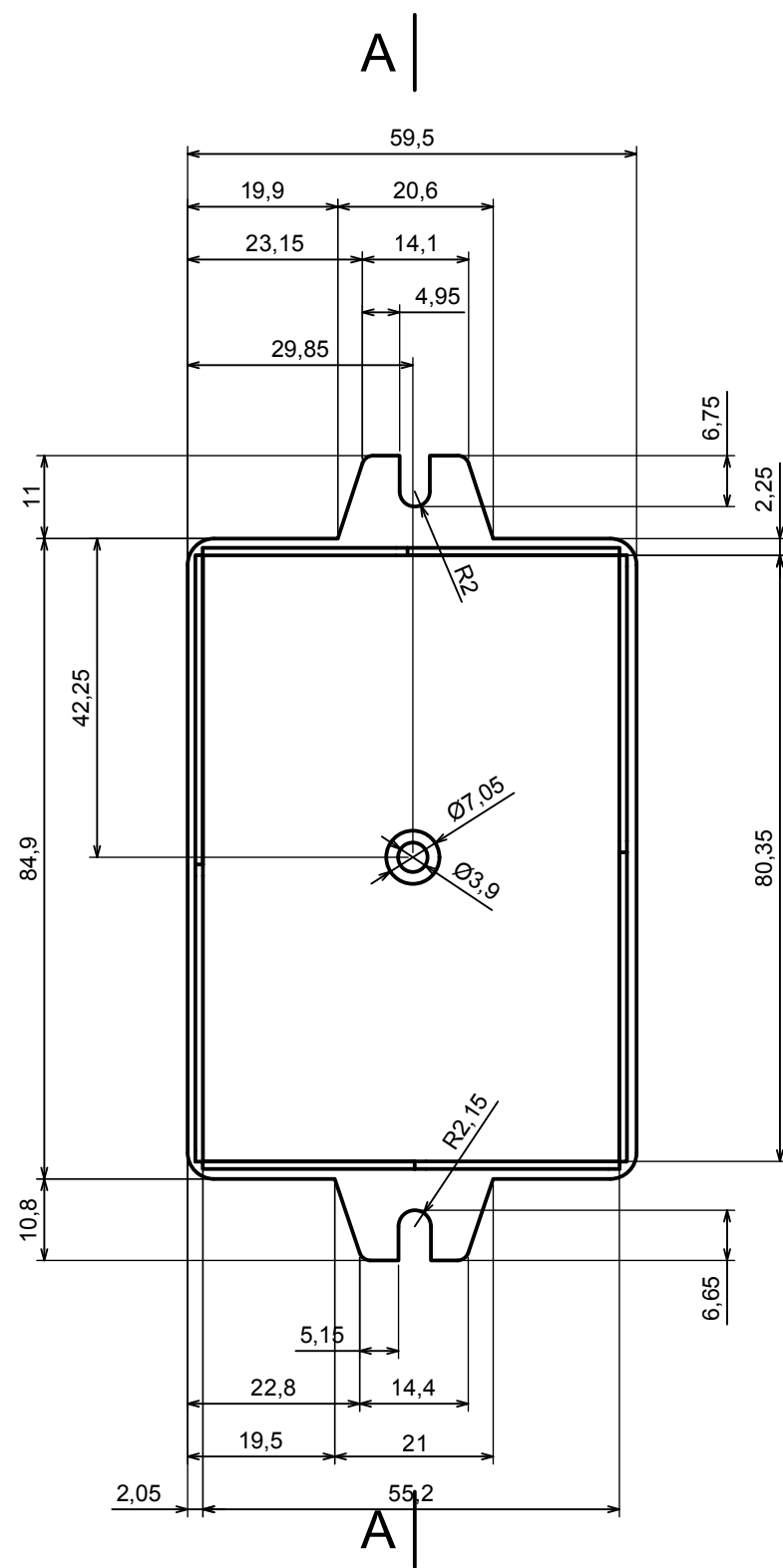

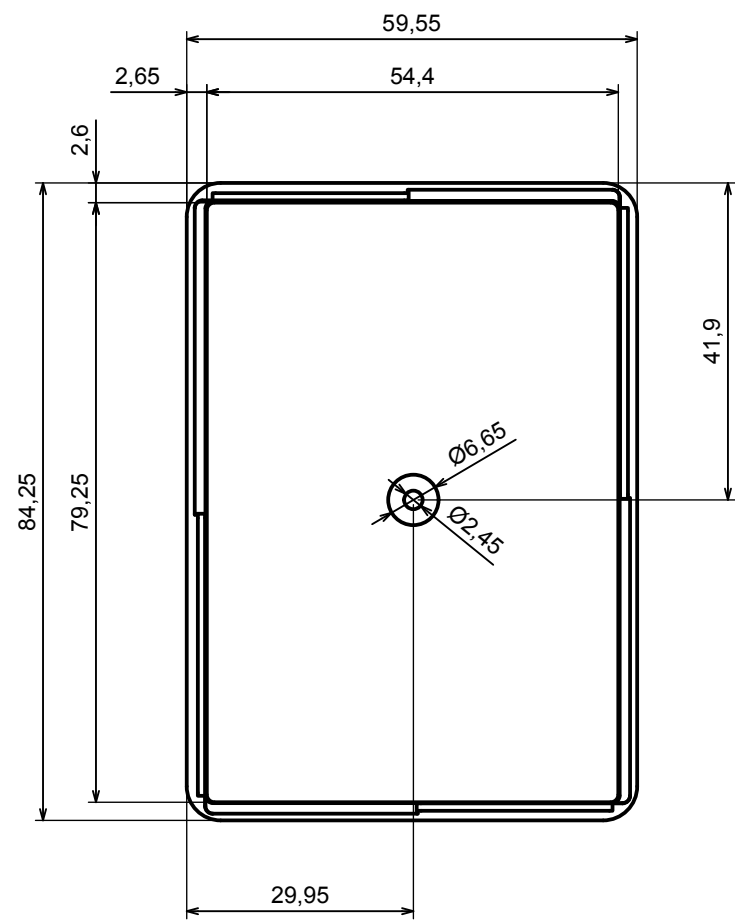


All rights reserved, Copyright Kradex 2016		
Product model	Enclosure Z23AU - assembly	
Format: A3	Material: PS, ABS	
Scale 1:1	Tolerance: +/- 0.8	



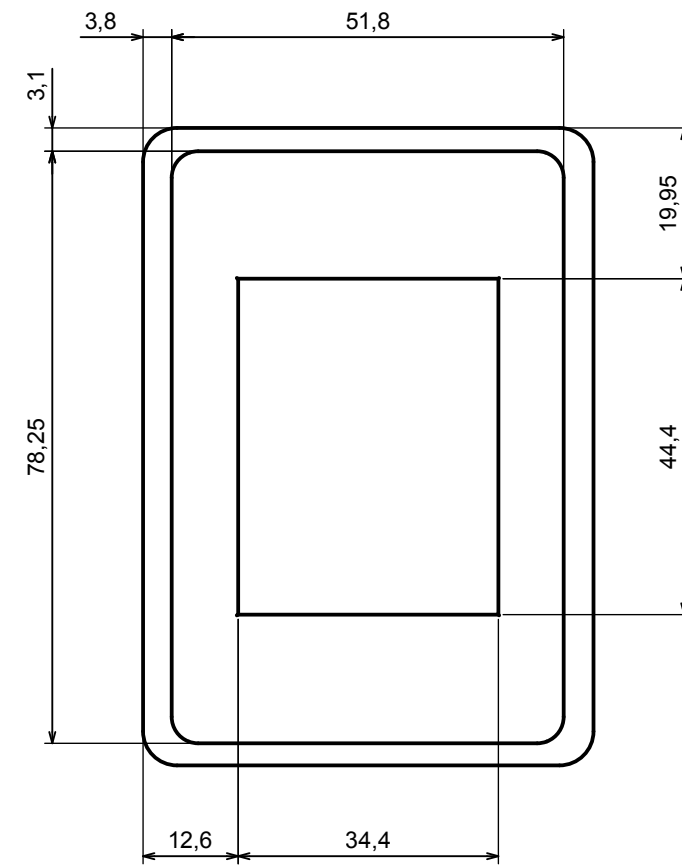
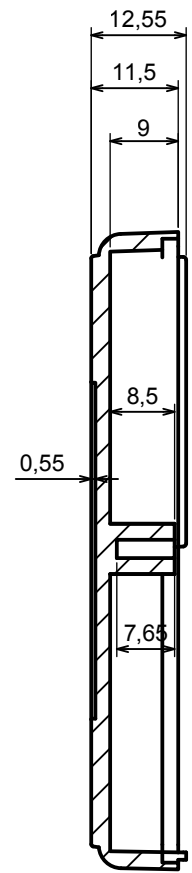
All rights reserved, Copyright Kradox 2016		
Product model	Enclosure Z23AU - base	
Format: A3	Material: PS, ABS	
Scale 1:1	Tolerance: +/- 0.8	

| A



| A

A-A



All rights reserved, Copyright Kradox 2016

Product model Enclosure Z23AU - cover

Format: A3 Material: PS, ABS

Scale 1:1 Tolerance: +/- 0.8

