

### Data Sheet

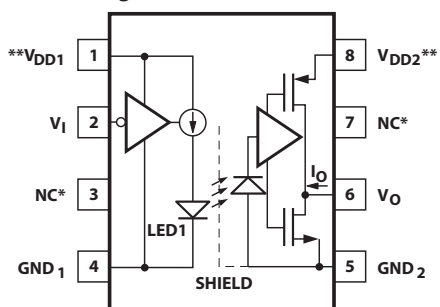


#### Description

Available in either an 8-pin DIP or SO-8 style respectively, the ACPL-772L or ACPL-072L optocouplers utilize the latest CMOS IC technology to achieve outstanding speed performance of minimum 25MBd data rate and 6ns maximum pulse width distortion.

Basic building blocks of this family of products are a CMOS LED driver IC, a high speed LED and a CMOS detector IC. A CMOS logic input signal controls the LED driver IC, which supplies current to the LED. The detector IC incorporates an integrated photodiode, a high speed transimpedance amplifier, and a voltage comparator with an output driver.

#### Functional Diagram



\* Pin 3 is the anode of the internal LED and must be left unconnected for guaranteed datasheet performance. Pin 7 is not connected internally.

\*\* A 0.1uF bypass capacitor must be connected between pins 1 and 4, and 5 and 8.

#### TRUTH TABLE (POSITIVE LOGIC)

V <sub>I</sub> , INPUT	LED1	V <sub>O</sub> , OUTPUT
H	OFF	H
L	ON	L

#### Features

- Dual voltage operation (3.3V and 5V)
- Allow level shifting functionality
- Support high Speed datarate of 25 MBd
- Wide Temperature operation
- CMOS output and buffer input
- Compatible with CMOS and TTL logic level
- Lower power consumption with 3.3V supply
- Good AC performance with lower pulse width distortion
- Lead-free option available

#### Specifications

- 3.3V and 5V CMOS Compatibility
- High Speed: DC to 25 MBd
- 6ns max. Pulse Width Distortion
- 40 ns max. Prop. Delay
- 20 ns max. Prop. Delay Skew
- 10 kV/μs min. Common Mode Rejection
- -40 °C to 105 °C Temperature Range
- Safety and Regulatory Approvals:
  - UL Recognised for ACPL-072L and Pending UL Recognised for ACPL-772L
  - 5000V<sub>rms</sub> for 1 min. per UL1577 for ACPL-772L for option 020
  - 3750V<sub>rms</sub> for 1 min. per UL1577 for ACPL-072L
- CSA Component Acceptance Notice #5  
IEC/EN/DIN EN 60747-5-2
  - V<sub>IORM</sub> = 630 V<sub>peak</sub> for ACPL-772L Option 060
  - V<sub>IORM</sub> = 560 V<sub>peak</sub> for ACPL-072L Option 060

#### Applications

- Digital Fieldbus Isolation: DeviceNet, Profibus, SDS
- Multiplexed Data Transmission
- General Instrument and Data Acquisition
- Computer Peripheral interface
- Microprocessor System Interface

**CAUTION:** It is advised that normal static precautions be taken in handling and assembly of this component to prevent damage and/or degradation, which may be induced by ESD.

## Device Selection Guide

<b>8-Pin DIP (300 Mil)</b>	<b>Small Outline SO-8</b>
ACPL-772L	ACPL-072L

## Ordering Information

ACPL-072L and ACPL-772L are UL Recognized with 3750 Vrms for 1 minute per UL1577.

Part number	Option		Package	Surface Mount	Gull Wing	Tape & Reel	UL 5000 Vrms/ 1 Minute rating	IEC/EN/DIN EN 60747-5-2	Quantity
	RoHS Compliant	Non RoHS Compliant							
ACPL-772L	-000E	-	300mil DIP-8						50 per tube
	-300E	-		X	X				50 per tube
	-500E	-		X	X	X			1000 per reel
	-020E	-					X		50 per tube
	-320E	-		X	X		X		50 per tube
	-520E	-		X	X	X	X		1000 per reel
	-060E	-						X	50 per tube
	-360E	-		X	X			X	50 per tube
	-560E	-		X	X	X		X	1000 per reel
	ACPL-072L	-000E		No option	SO-8	X			
-500E		-500	X			X			1500 per reel
-060E		-060	X					X	100 per tube
-560E		-560	X			X		X	1500 per reel

To order, choose a part number from the part number column and combine with the desired option from the option column to form an order entry.

Example 1:

ACPL-772L-560E to order product of Gull Wing Surface Mount package in Tape and Reel packaging with IEC/EN/DIN EN 60747-5-2 Safety Approval in RoHS compliant.

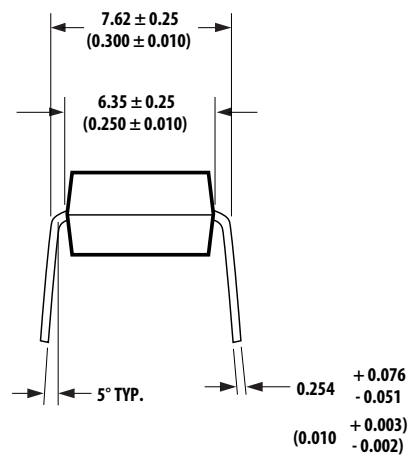
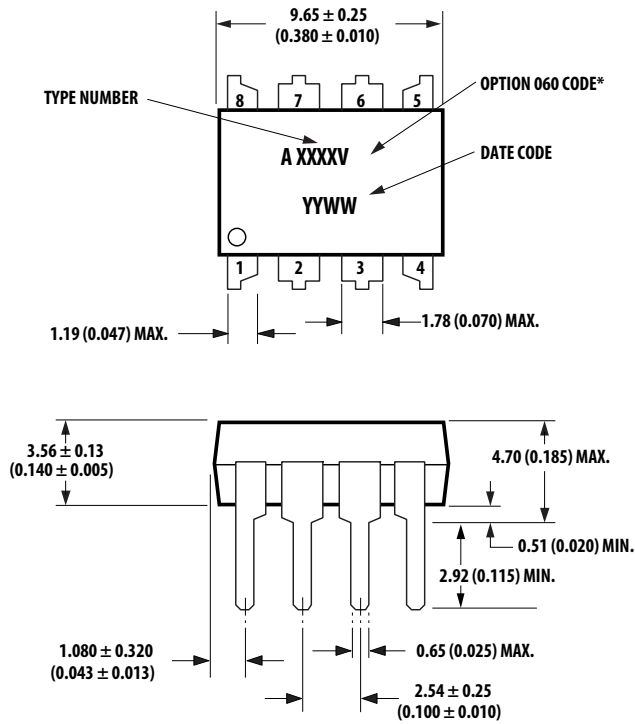
Example 2:

ACPI-072L to order product of Small Outline SO-8 package in tube packaging and non RoHS compliant.

Option datasheets are available. Contact your Avago sales representative or authorized distributor for information.

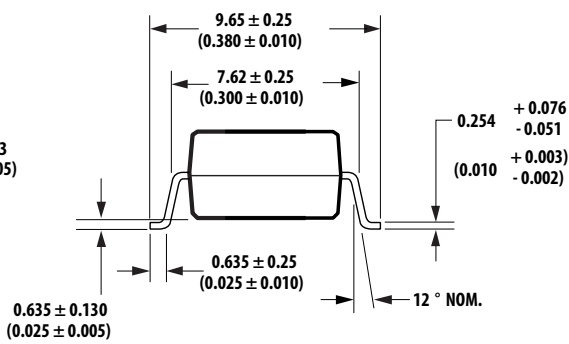
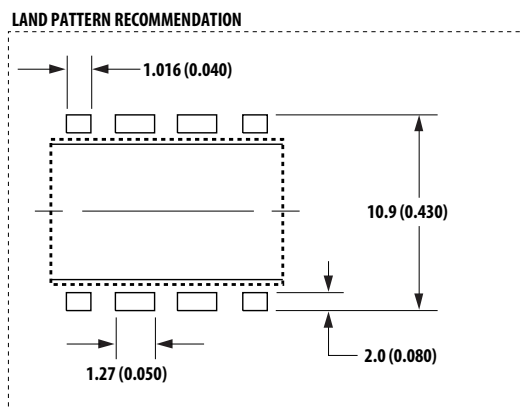
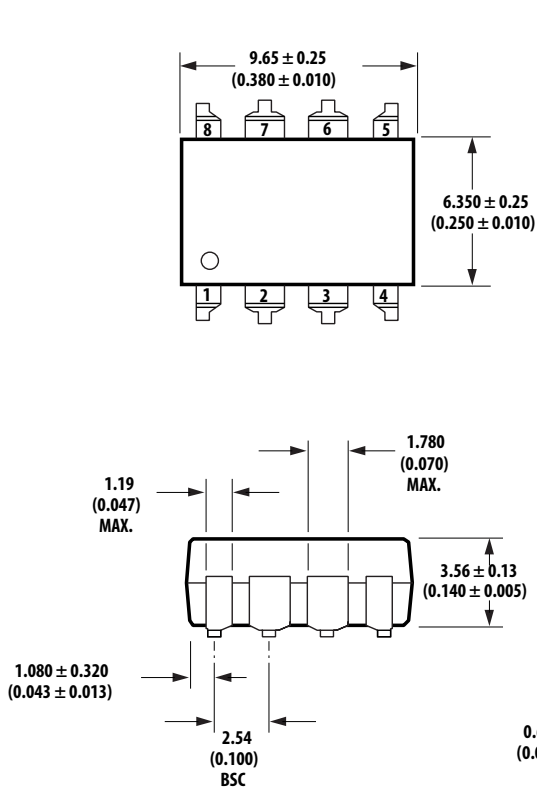
# Package Dimensions

## ACPL-772L 8-Pin DIP Package



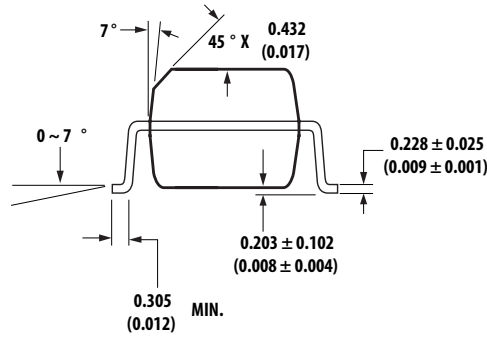
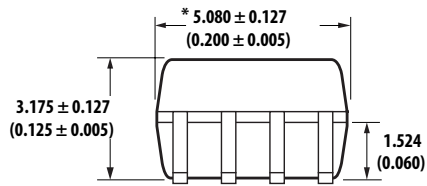
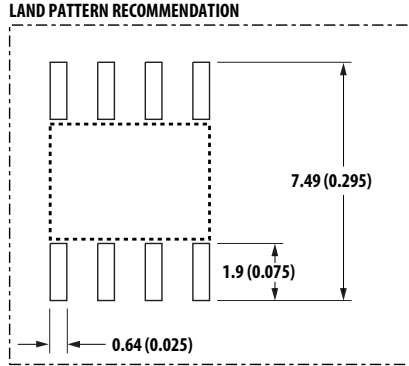
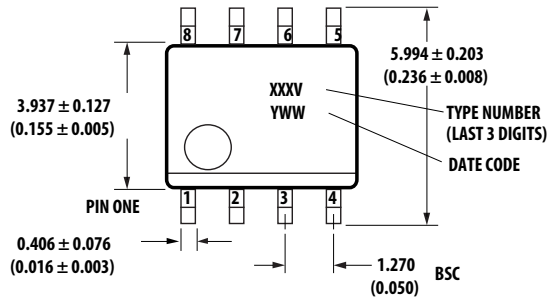
DIMENSIONS IN MILLIMETERS AND (INCHES).  
 \*OPTION 300 AND 500 NOT MARKED.  
 NOTE: FLOATING LEAD PROTRUSION IS 0.25 mm (10 mils) MAX.

## ACPL-772L Package with Gull Wing Surface Mount Option 300



DIMENSIONS IN MILLIMETERS (INCHES).  
 LEAD COPLANARITY = 0.10 mm (0.004 INCHES).  
 NOTE: FLOATING LEAD PROTRUSION IS 0.25 mm (10 mils) MAX.

# ACPL-072L Small Outline S0-8 Package



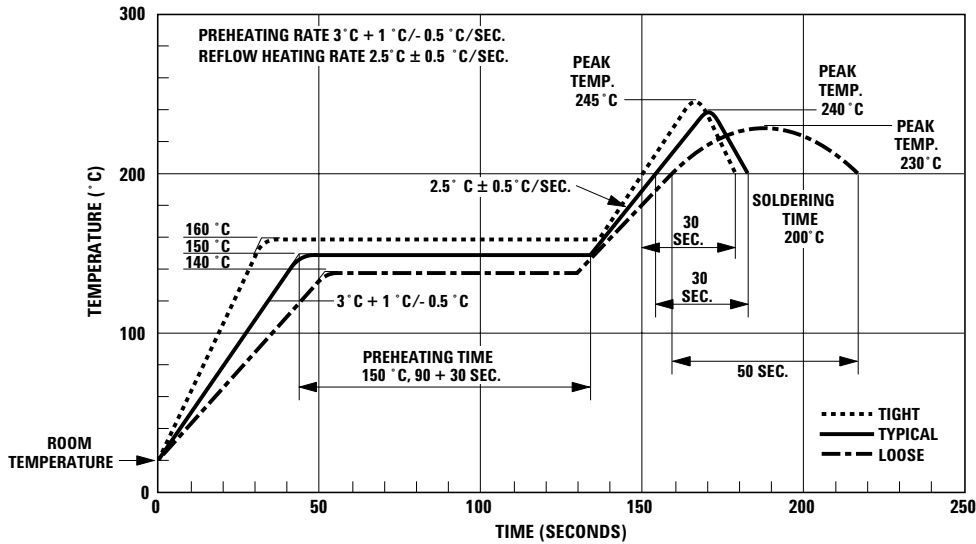
\* TOTAL PACKAGE LENGTH (INCLUSIVE OF MOLD FLASH)  
 $5.207 \pm 0.254$  ( $0.205 \pm 0.010$ )

DIMENSIONS IN MILLIMETERS (INCHES).  
 LEAD COPLANARITY =  $0.10$  mm ( $0.004$  INCHES) MAX.

OPTION NUMBER 500 NOT MARKED.

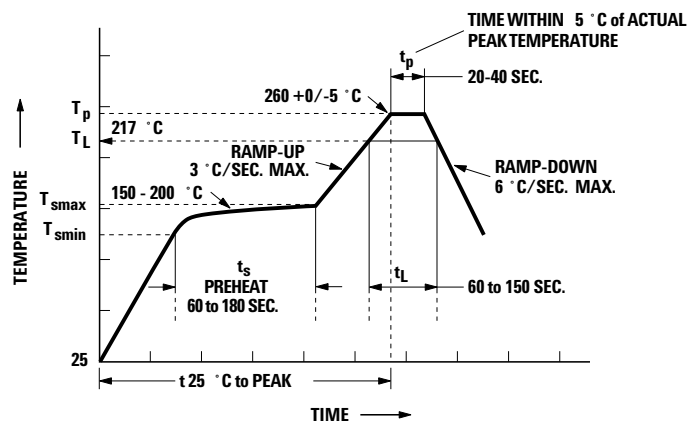
NOTE: FLOATING LEAD PROTRUSION IS  $0.15$  mm (6 mils) MAX.

## Solder Reflow Temperature Profile



Note: Non-halide flux should be used

## Recommended Pb-Free IR Profile



NO TES:  
 THE TIME FROM  $25^{\circ}\text{C}$  TO PEAK TEMPERATURE = 8 MINUTES MAX.  
 $T_{smax} = 200^{\circ}\text{C}$ ,  $T_{smin} = 150^{\circ}\text{C}$

Note: Non-halide flux should be used

## Regulatory Information

ACPL-072L has been approved while ACPL-772L is pending approval from the following organizations:

### IEC/EN/DIN EN 60747-5-2

Approved under:  
 IEC 60747-5-2:1997 + A1:2002  
 EN 60747-5-2:2001 + A1:2002  
 DIN EN 60747-5-2 (VDE 0884 Teil 2):2003-01.  
 (option 060 only)

### UL

Approved under UL 1577, component recognition program up, File E55361.

### CSA

Approved under CSA Component Acceptance Notice #5, File CA 88324.

**Table 1. IEC/EN/DIN EN 60747-5-2 Insulation Characteristics\***

Description	Symbol	ACPL-772L	ACPL-072L	Units
		Option 060	Option 060	
Installation classification per DIN VDE 0110/1.89, Table 1 for rated mains voltage ≤ 150 Vrms for rated mains voltage ≤ 300 Vrms for rated mains voltage ≤ 450 Vrms		I – IV I – IV I – III	I – IV I – III	
Climatic Classification		55/105/21	55/105/21	
Pollution Degree (DIN VDE 0110/1.89)		2	2	
Maximum Working Insulation Voltage	V <sub>IORM</sub>	630	560	V <sub>peak</sub>
Input to Output Test Voltage, Method b** V <sub>IORM</sub> × 1.875 = V <sub>PR</sub> , 100% Production Test with t <sub>m</sub> = 1 sec, Partial discharge < 5 pC	V <sub>PR</sub>	1181	1050	V <sub>peak</sub>
Input to Output Test Voltage, Method a** V <sub>IORM</sub> × 1.5 = V <sub>PR</sub> , Type and Sample Test, t <sub>m</sub> = 60 sec, Partial discharge < 5 pC	V <sub>PR</sub>	945	840	V <sub>peak</sub>
Highest Allowable Overvoltage (Transient Overvoltage t <sub>ini</sub> = 10 sec)	V <sub>IOTM</sub>	6000	4000	V <sub>peak</sub>
Safety-limiting values – maximum values allowed in the event of a failure, also see Figure 2.				
Case Temperature	T <sub>S</sub>	175	150	°C
Input Current	I <sub>S, INPUT</sub>	230	150	mA
Output Power	P <sub>S, OUTPUT</sub>	600	600	mW
Insulation Resistance at T <sub>S</sub> , V <sub>IO</sub> = 500 V	R <sub>IO</sub>	>109	>109	Ω

\* Isolation characteristics are guaranteed only within the safety maximum ratings which must be ensured by protective circuits in application. Surface mount classification is class A in accordance with CECC00802.

\*\* Refer to the optocoupler section of the Isolation and Control Components Designer's Catalog, under Product Safety Regulations section IEC/EN/DIN EN 60747-5-2, for a detailed description of Method a and Method b partial discharge test profiles.

Note: These optocouplers are suitable for "safe electrical isolation" only within the safety limit data. Maintenance of the safety data shall be ensured by means of protective circuits.

Note: The surface mount classification is Class A in accordance with CECC 00802.

**Table 2. Insulation and Safety Related Specifications**

Parameter	Symbol	Value		Units	Conditions
		ACPL-772L	ACPL-072L		
Minimum External Air Gap (Clearance)	L(101)	7.1	4.9	mm	Measured from input terminals to output terminals, shortest distance through air.
Minimum External Tracking (Creepage)	L(102)	7.4	4.8	mm	Measured from input terminals to output terminals, shortest distance path along body.
Minimum Internal Plastic Gap (Internal Clearance)		0.08	0.08	mm	Through insulation distance conductor to conductor, usually the straight line distance thickness between the emitter and detector.
Tracking Resistance (Comparative Tracking Index)	CTI	>175	>175	V	DIN IEC 112/VDE 0303 Part 1
Isolation Group		IIIa	IIIa		Material Group (DIN VDE 0110, 1/89, Table 1)

All Avago Technologies data sheets report the creepage and clearance inherent to the optocoupler component itself. These dimensions are needed as a starting point for the equipment designer when determining the circuit insulation requirements. However, once mounted on a printed circuit board, minimum creepage and clearance requirements must be met as specified for individual equipment standards. For creepage, the shortest distance path along the surface of a printed circuit board between the solder fillets of the input and output leads must be considered.

There are recommended techniques such as grooves and ribs which may be used on a printed circuit board to achieve desired creepage and clearances. Creepage and clearance distances will also change depending on factors such as pollution degree and insulation level.

**Table 3. Absolute Maximum Ratings**

Parameter	Symbol	Min.	Max.	Units
Storage Temperature	$T_S$	-55	+125	°C
Ambient Operating Temperature <sup>[1]</sup>	$T_A$	-40	+105	°C
Supply Voltages	$V_{DD1}, V_{DD2}$	0	6.0	Volts
Input Voltage	$V_I$	-0.5	$V_{DD1} + 0.5$	Volts
Output Voltage	$V_O$	-0.5	$V_{DD2} + 0.5$	Volts
Average Output Current	$I_O$		10	mA
Lead Solder Temperature	260°C for 10 sec., 1.6 mm below seating plane			
Solder Reflow Temperature Profile	Please See Solder Reflow Temperature Profile Section			

**Table 4. Recommended Operating Conditions**

Parameter	Symbol	Min.	Max.	Units
Ambient Operating Temperature	$T_A$	-40	+105	°C
Supply Voltages ( 3.3V operation)	$V_{DD1}, V_{DD2}$	3.0	3.6	V
Supply Voltages ( 5V operation)	$V_{DD1}, V_{DD2}$	4.5	5.5	V
Logic High Input Voltage	$V_{IH}$	2.0	$V_{DD1}$	V
Logic Low Input Voltage	$V_{IL}$	0.0	0.8	V
Input Signal Rise and Fall Times	$t_r, t_f$		1.0	ms

**Table 5. Electrical Specifications**

Test conditions that are not specified can be anywhere within the recommended operating range.

The following specifications cover the following power supply combinations: ( $4.5V \leq V_{DD1} \leq 5.5V$ ,  $4.5V \leq V_{DD2} \leq 5.5V$ ), ( $3V \leq V_{DD1} \leq 3.6V$ ,  $3V \leq V_{DD2} \leq 3.6V$ ), ( $4.5V \leq V_{DD1} \leq 5.5V$ ,  $3V \leq V_{DD2} \leq 3.6V$ ) and ( $3V \leq V_{DD1} \leq 3.6V$ ,  $4.5V \leq V_{DD2} \leq 5.5V$ ).

All typical specifications are at  $T_A = +25^\circ\text{C}$ ,  $V_{DD1} = V_{DD2} = +3.3V$ .

Parameter	Symbol	Min.	Typ.	Max.	Units	Test Conditions
Logic Low Input Supply Current <sup>[2]</sup>	$I_{DD1L}$		8.8	15	mA	$V_I = 0V$
Logic High Input Supply Current <sup>[2]</sup>	$I_{DD1H}$		1.4	5	mA	$V_I = V_{DD1}$
Output Supply Current	$I_{DD2L}$		4.3	10	mA	
	$I_{DD2H}$		4.5	10	mA	
Input Current	$I_I$	-10		10	$\mu\text{A}$	
Logic High Output Voltage	$V_{OH}$	$V_{DD2} - 0.4$	$V_{DD2}$		V	$I_O = -20 \mu\text{A}$ , $V_I = V_{IH}$
		$V_{DD2} - 1.4$	$V_{DD2} - 0.4$		V	$I_O = -4 \text{ mA}$ , $V_I = V_{IH}$
Logic Low Output Voltage	$V_{OL}$		0	0.1	V	$I_O = 20 \mu\text{A}$ , $V_I = V_{IL}$
			0.35	1.0	V	$I_O = 4 \text{ mA}$ , $V_I = V_{IL}$

**Table 6. Switching Specifications**

Test conditions that are not specified can be anywhere within the recommended operating range.

The following specifications cover the following power supply combinations: (4.5V ≤ V<sub>DD1</sub> ≤ 5.5V, 4.5V ≤ V<sub>DD2</sub> ≤ 5.5V), (3V ≤ V<sub>DD1</sub> ≤ 3.6V, 3V ≤ V<sub>DD2</sub> ≤ 3.6V), (4.5V ≤ V<sub>DD1</sub> ≤ 5.5V, 3V ≤ V<sub>DD2</sub> ≤ 3.6V) and (3V ≤ V<sub>DD1</sub> ≤ 3.6V, 4.5V ≤ V<sub>DD2</sub> ≤ 5.5V).

All typical specifications are at T<sub>A</sub> = +25°C, V<sub>DD1</sub> = V<sub>DD2</sub> = +3.3V.

Parameter	Symbol	Min.	Typ.	Max.	Units	Test Conditions
Propagation Delay Time to Logic Low Output [3]	t <sub>PHL</sub>		23.5	40	ns	C <sub>L</sub> = 15 pF, CMOS Signal Levels
Propagation Delay Time to Logic High Output [3]	t <sub>PLH</sub>		25.5	40	ns	C <sub>L</sub> = 15 pF, CMOS Signal Levels
Pulse Width [4]	t <sub>PW</sub>	40			ns	C <sub>L</sub> = 15 pF, CMOS Signal Levels
Maximum Data Rate [5]				25	MBd	C <sub>L</sub> = 15 pF, CMOS Signal Levels
Pulse Width Distortion [6]  t <sub>PHL</sub> - t <sub>PLH</sub>	PWD		2	6	ns	C <sub>L</sub> = 15 pF, CMOS Signal Levels
Propagation Delay Skew [7]	t <sub>PSK</sub>			20	ns	C <sub>L</sub> = 15 pF, CMOS Signal Levels
Output Rise Time (10% - 90%)	t <sub>R</sub>		9		ns	C <sub>L</sub> = 15 pF, CMOS Signal Levels
Output Fall Time (90% - 10%)	t <sub>F</sub>		8		ns	C <sub>L</sub> = 15 pF, CMOS Signal Levels
Common Mode Transient Immunity at Logic High Output [8]	CM <sub>H</sub>	10	20		kV/μs	V <sub>CM</sub> = 1000 V, T <sub>A</sub> = 25°C, V <sub>I</sub> = V <sub>DD1</sub> , V <sub>O</sub> > 0.8 V <sub>DD1</sub>
Common Mode Transient Immunity at Logic Low Output [8]	CM <sub>L</sub>	10	20		kV/μs	V <sub>CM</sub> = 1000 V, T <sub>A</sub> = 25°C, V <sub>I</sub> = 0 V, V <sub>O</sub> < 0.8 V

**Table 7. Package Characteristics**

All typical specifications are at T<sub>A</sub> = 25°C.

Parameters	Symbol	Min.	Typ.	Max.	Units	Test Conditions
Input-Output Momentary With-stand Voltage [7,8,9]	072L 772L 772L with 020 option	V <sub>ISO</sub>	3750 3750 5000		V rms	RH ≤ 50%, t = 1 min, T <sub>A</sub> = 25°C
Input-Output Resistance [9]	R <sub>I-O</sub>		10 <sup>12</sup>		Ω	V <sub>I-O</sub> = 500 V dc
Input-Output Capacitance	C <sub>I-O</sub>		0.6		pF	f = 1 MHz
Input Capacitance [12]	C <sub>I</sub>		3.0		pF	
Input IC Junction-to-Case Thermal Resistance	772L 072L	θ <sub>jci</sub>	145 160		°C/W	Thermocouple located at center underside of package
Output IC Junction-to-Case Thermal Resistance	772L 072L	θ <sub>jco</sub>	140 135		°C/W	
Package Power Dissipation	P <sub>PD</sub>			150	mW	

Notes:

1. Absolute Maximum ambient operating temperature means the device will not be damaged if operated under these conditions. It does not guarantee functionality.
2. The LED is ON when V<sub>I</sub> is low and OFF when V<sub>I</sub> is high.
3. t<sub>PHL</sub> propagation delay is measured from the 50% level on the falling edge of the V<sub>I</sub> signal to the 50% level of the falling edge of the V<sub>O</sub> signal. t<sub>PLH</sub> propagation delay is measured from the 50% level on the rising edge of the V<sub>I</sub> signal to the 50% level of the rising edge of the V<sub>O</sub> signal.
4. The minimum pulse width is the shortest pulse width at which the specified pulse width distortion is guaranteed.
5. The maximum data rate is the fastest data rate at which the specified pulse width distortion is guaranteed.
6. PWD is defined as |t<sub>PHL</sub> - t<sub>PLH</sub>|. %PWD (percent pulse width distortion) is equal to the PWD divided by pulse width.
7. t<sub>PSK</sub> is equal to the magnitude of the worst case difference in t<sub>PHL</sub> and/or t<sub>PLH</sub> that will be seen between units at any given temperature within the



recommended operating conditions.

8.  $CM_H$  is the maximum common mode voltage slew rate that can be sustained while maintaining  $V_O > 0.8 V_{DD2}$ .  $CM_L$  is the maximum common mode voltage slew rate that can be sustained while maintaining  $V_O < 0.8 V$ . The common mode voltage slew rates apply to both rising and falling common mode voltage edges.
9. Device considered a two-terminal device: pins 1, 2, 3, and 4 shorted together and pins 5, 6, 7, and 8 shorted together.
10. In accordance with UL1577, each ACPL-072L is proof tested by applying an insulation test voltage  $\geq 4500 V_{RMS}$  for 1 second (leakage detection current limit,  $I_{I-O} \leq 5 \mu A$ ). Each ACPL-772L is proof tested by applying an insulation test voltage  $\geq 4500 V_{RMS}$  for 1 second (leakage detection current limit,  $I_{I-O} \leq 5 \mu A$ ).
11. The Input-Output Momentary Withstand Voltage is a dielectric voltage rating that should not be interpreted as an input-output continuous voltage rating. For the continuous voltage rating refers to your equipment level safety specification or Avago Technologies Application Note 1074 entitled "Optocoupler Input-Output Endurance Voltage."
12.  $C_I$  is the capacitance measured at pin 2 ( $V_I$ ).

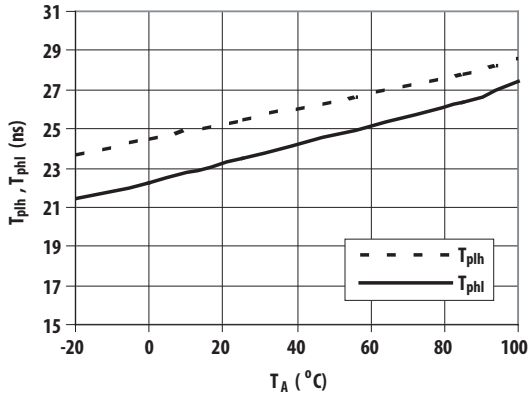


Figure 1. Typical propagation delays vs temperature

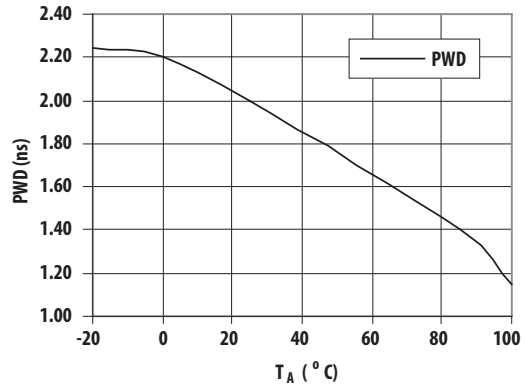


Figure 2. Typical pulse width distortion vs temperature

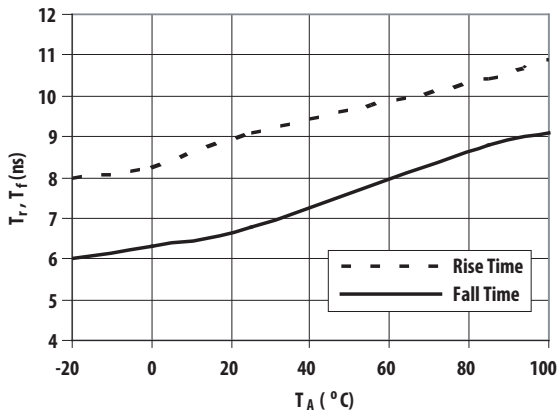


Figure 3. Typical rise and fall time vs temperature

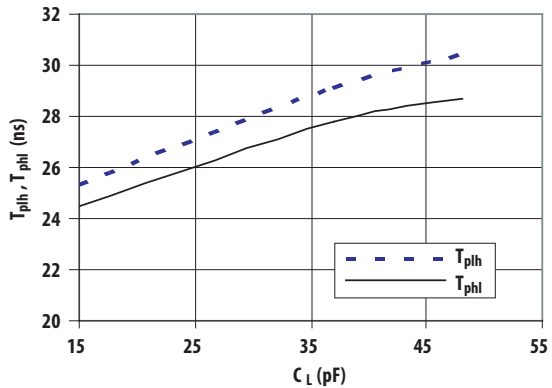


Figure 4. Typical propagation delays vs load capacitance

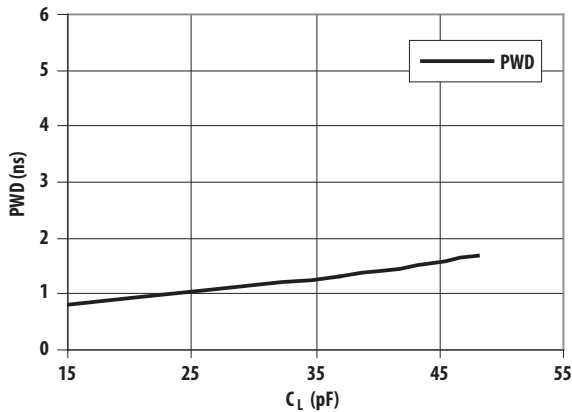
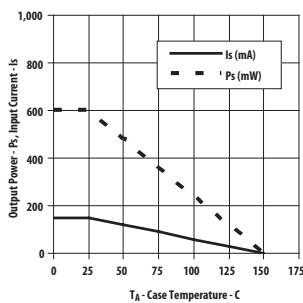


Figure 5. Typical pulse width distortion vs load capacitance

#### Surface Mount S0-8 Product



#### Standard 8-pin DIP Product

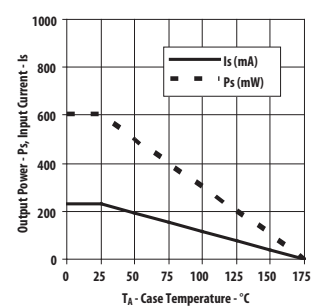


Figure 6. Thermal derating curve, dependence of safety limiting value with case temperature per IEC/EN/DIN EN 60747-5-2

## Application Information

### Bypassing and PC Board Layout

The ACPL-x72L optocouplers are extremely easy to use. No external interface circuitry is required because ACPL-x72L uses high speed CMOS IC technology allowing CMOS logic to be connected directly to the inputs and outputs.

As shown in Figure 7, the only external components required for proper operation are two bypass capacitors. Capacitor values should be between  $0.01\mu\text{F}$  and  $0.1\mu\text{F}$ . For each capacitor, the total lead length between both ends of the capacitor and power supply pins should not exceed 20mm. Figure 8 illustrates the recommended printed circuit board layout for ACPL-x72L.

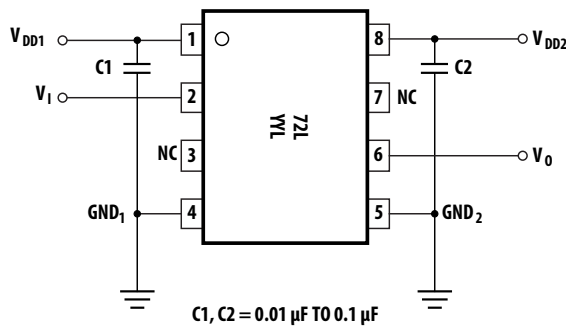


Figure 7. Recommended Circuit Diagram

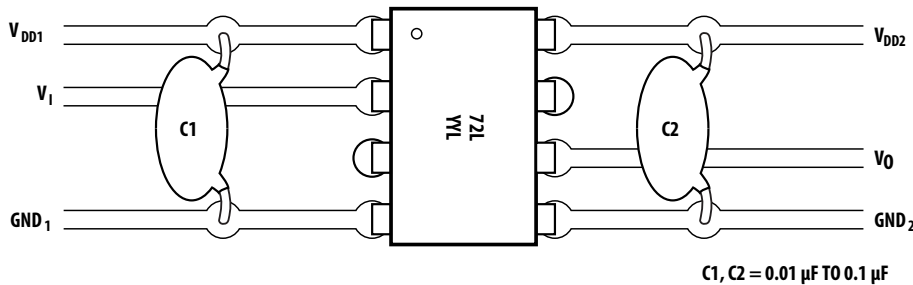


Figure 8. Recommended Printed Circuit Board Layout

### Propagation Delay, Pulse-Width Distortion and Propagation Delay Skew

Propagation Delay is a figure of merit which describes how quickly a logic signal propagates through a system. The propagation delay from a low to high ( $t_{PLH}$ ) is the amount of time required for an input signal to propagate to the output, causing the output to change from low to high. Similarly, the propagation delay from high to low ( $t_{PHL}$ ) is the amount of time required for the input signal to propagate to the output, causing the output to change from high to low. Please see Figure 9.

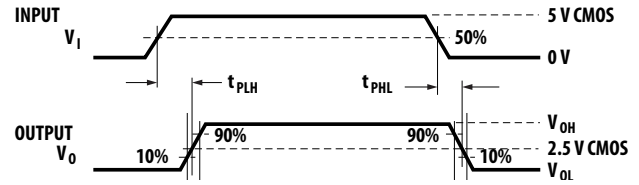


Figure 9. Signal plot shows how propagation delay is defined

Pulse-width distortion (PWD) is the difference between  $t_{PHL}$  and  $t_{PLH}$  and often determines the maximum data rate capability of a transmission system. PWD can be expressed in percent by dividing the PWD (in ns) by the minimum pulse width (in ns) being transmitted. Typically, PWD on the order of 20-30% of the minimum pulse width is tolerable. The PWD specification for ACPL-x72L is 6ns (15%) maximum across recommended operating conditions.

Propagation delay skew,  $t_{PSK}$ , is an important parameter to consider in parallel data applications where synchronization of signals on parallel data lines is a concern. If the parallel data is sent through a group of optocouplers, differences in propagation delays will cause the data to arrive at the outputs of the optocouplers at different times. If this difference in propagation delay is large enough it will determine the maximum rate at which parallel data can be sent through the optocouplers.

Propagation delay skew is defined as the difference between the minimum and maximum propagation delays, either  $t_{PLH}$  or  $t_{PHL}$  for any given group of optocouplers which are operating under the same conditions (i.e., the same drive current, supply voltage, output load, and operating temperature). As illustrated in Figure 10, if the inputs of a group of optocouplers are switched either ON or OFF at the same time,  $t_{PSK}$  is the difference between the shortest propagation delay, either  $t_{PLH}$  or  $t_{PHL}$  and the longest propagation delay, either  $t_{PLH}$  and  $t_{PHL}$ .

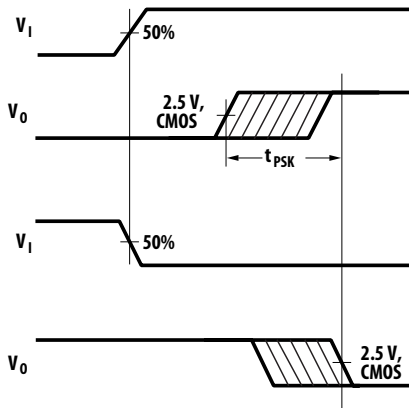


Figure 10. Propagation delay skew waveform

As mentioned earlier,  $t_{PSK}$  can determine the maximum parallel data transmission rate. Figure 11 is the timing diagram of a typical parallel data application with both the clock and data lines being sent through the optocouplers. The figure shows data and clock signals at the inputs and outputs of the optocouplers. In this case the data is assumed to be clocked off of the rising edge of the clock.

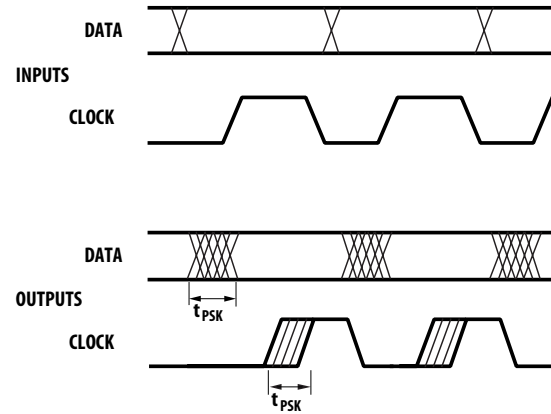


Figure 11. Parallel data transmission example.

Propagation delay skew represents the uncertainty of where an edge might be after being sent through an optocoupler. Figure 11 shows that there will be uncertainty in both the data and clock lines. It is important that these two areas of uncertainty not overlap, otherwise the clock signal might arrive before all the data outputs have settled, or some of the data outputs may start to change before the clock signal has arrived. From these considerations, the absolute minimum pulse width that can be sent through optocouplers in a parallel application is twice  $t_{PSK}$ . A cautious design should use a slightly longer pulse width to ensure that any additional uncertainty in the rest of the circuit does not cause a problem.

The ACPL-x72L optocoupler offers the advantage of guaranteed specifications for propagation delays, pulse-width distortion, and propagation delay skew over the recommended temperature and power supply ranges.

For product information and a complete list of distributors, please go to our web site: [www.avagotech.com](http://www.avagotech.com)

Avago, Avago Technologies, and the A logo are trademarks of Avago Technologies in the United States and other countries. Data subject to change. Copyright © 2005-2008 Avago Technologies. All rights reserved. Obsoletes AV01-0462EN AV02-0324EN - December 9, 2008

**AVAGO**  
TECHNOLOGIES

# Mouser Electronics

Authorized Distributor

Click to View Pricing, Inventory, Delivery & Lifecycle Information:

## [Avago Technologies:](#)

[ACPL-072L](#) [ACPL-072L-060](#) [ACPL-072L-060E](#) [ACPL-072L-500](#) [ACPL-072L-500E](#) [ACPL-072L-560](#) [ACPL-072L-560E](#) [ACPL-772L-020E](#) [ACPL-772L-060E](#) [ACPL-772L-300E](#) [ACPL-772L-320E](#) [ACPL-772L-360E](#) [ACPL-772L-500E](#) [ACPL-772L-520E](#) [ACPL-772L-560E](#)