

# ZVP4525Z

---

## 250V P-CHANNEL ENHANCEMENT MODE MOSFET

---

### SUMMARY

$V_{(BR)DSS} = -250V$ ;  $R_{DS(ON)} = 14\Omega$ ;  $I_D = -205mA$

### DESCRIPTION

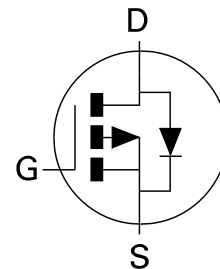
This 250V enhancement mode P-channel MOSFET provides users with a competitive specification offering efficient power handling capability, high impedance and is free from thermal runaway and thermally induced secondary breakdown. Applications benefiting from this device include a variety of Telecom and general high voltage switching circuits.



SOT223 and SOT23-6 versions are also available.

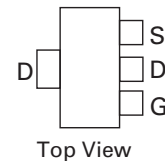
### FEATURES

- High voltage
- Low on-resistance
- Fast switching speed
- Low gate drive
- Low threshold
- Complementary N-channel Type ZVN4525Z
- SOT89 package



### APPLICATIONS

- Earth Recall and dialling switches
- Electronic hook switches
- High Voltage Power MOSFET Drivers
- Telecom call routers
- Solid state relays



### ORDERING INFORMATION

DEVICE	REEL SIZE (inches)	TAPE WIDTH (mm)	QUANTITY PER REEL
ZVP4525ZTA	7	12mm embossed	1000 units
ZVP4525ZTC	13	12mm embossed	4000 units

### DEVICE MARKING

- P52

# ZVP4525Z

## ABSOLUTE MAXIMUM RATINGS

PARAMETER	SYMBOL	LIMIT	UNIT
Drain-Source Voltage	V <sub>DSS</sub>	250	V
Gate Source Voltage	V <sub>GS</sub>	±40	V
Continuous Drain Current (V <sub>GS</sub> =10V; T <sub>A</sub> =25°C)(a) (V <sub>GS</sub> =10V; T <sub>A</sub> =70°C)(a)	I <sub>D</sub> I <sub>D</sub>	-205 -164	mA mA
Pulsed Drain Current (c)	I <sub>DM</sub>	-1	A
Continuous Source Current (Body Diode)	I <sub>S</sub>	-0.75	A
Pulsed Source Current (Body Diode)	I <sub>SM</sub>	-1	A
Power Dissipation at T <sub>A</sub> =25°C (a) Linear Derating Factor	P <sub>D</sub>	1.2 9.6	W mW/°C
Operating and Storage Temperature Range	T <sub>j</sub> ; T <sub>stg</sub>	-55 to +150	°C

## THERMAL RESISTANCE

PARAMETER	SYMBOL	VALUE	UNIT
Junction to Ambient (a)	R <sub>θJA</sub>	103	°C/W
Junction to Ambient (b)	R <sub>θJA</sub>	50	°C/W

### NOTES

(a) For a device surface mounted on 25mm x 25mm FR4 PCB with high coverage of single sided 1oz copper, in still air conditions

(b) For a device surface mounted on FR4 PCB measured at t ≤ 5 secs.

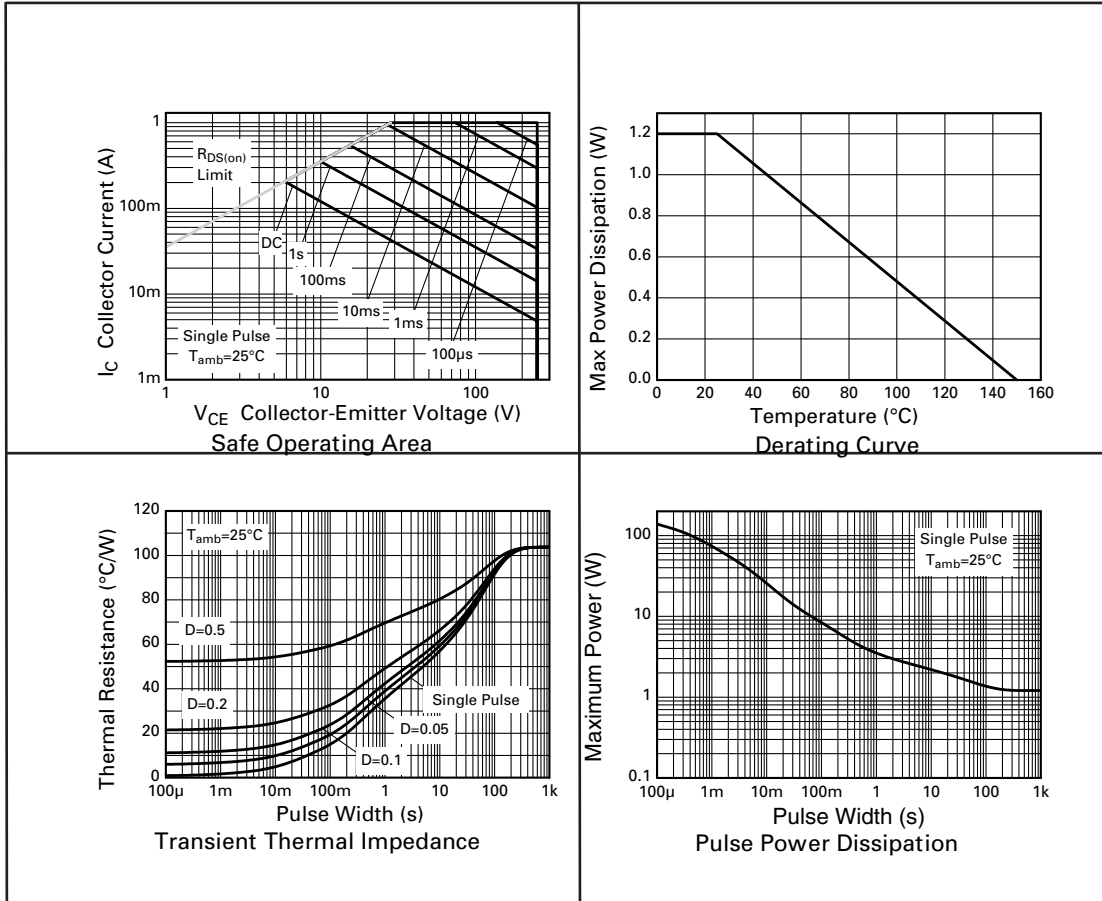
(c) Repetitive rating - pulse width limited by maximum junction temperature. Refer to Transient Thermal Impedance graph.

### NB High Voltage Applications

For high voltage applications, the appropriate industry sector guidelines should be considered with regard to voltage spacing between conductors.

# ZVP4525Z

## CHARACTERISTICS



# ZVP4525Z

## ELECTRICAL CHARACTERISTICS (at $T_{amb} = 25^{\circ}\text{C}$ unless otherwise stated)

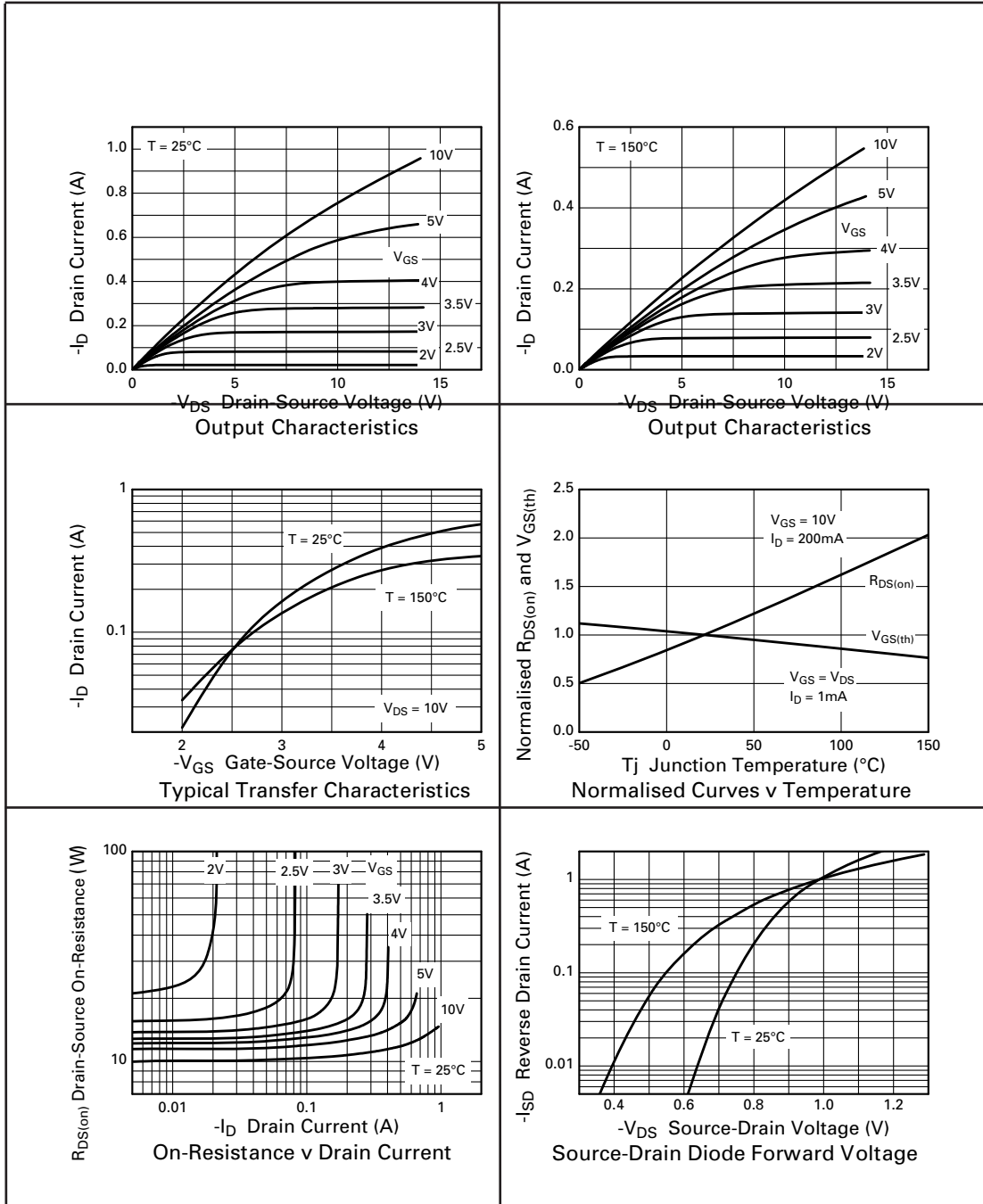
PARAMETER	SYMBOL	MIN.	TYP.	MAX.	UNIT	CONDITIONS.
<b>STATIC</b>						
Drain-Source Breakdown Voltage	$V_{(BR)DSS}$	-250	-285		V	$I_D = -1\text{mA}$ , $V_{GS} = 0\text{V}$
Zero Gate Voltage Drain Current	$I_{DSS}$		-30	-500	nA	$V_{DS} = -250\text{V}$ , $V_{GS} = 0\text{V}$
Gate-Body Leakage	$I_{GSS}$		$\pm 1$	$\pm 100$	nA	$V_{GS} = \pm 40\text{V}$ , $V_{DS} = 0\text{V}$
Gate-Source Threshold Voltage	$V_{GS(th)}$	-0.8	-1.5	-2.0	V	$I_D = -1\text{mA}$ , $V_{DS} = V_{GS}$
Static Drain-Source On-State Resistance (1)	$R_{DS(on)}$		10 13	14 18	$\Omega$ $\Omega$	$V_{GS} = -10\text{V}$ , $I_D = -200\text{mA}$ $V_{GS} = -3.5\text{V}$ , $I_D = -100\text{mA}$
Forward Transconductance (3)	$g_{fs}$	80	200		mS	$V_{DS} = -10\text{V}$ , $I_D = -0.15\text{A}$
<b>DYNAMIC (3)</b>						
Input Capacitance	$C_{iss}$		73		pF	$V_{DS} = -25\text{V}$ , $V_{GS} = 0\text{V}$ , $f = 1\text{MHz}$
Output Capacitance	$C_{oss}$		12.8		pF	
Reverse Transfer Capacitance	$C_{rss}$		3.91		pF	
<b>SWITCHING(2) (3)</b>						
Turn-On Delay Time	$t_{d(on)}$		1.53		ns	$V_{DD} = -30\text{V}$ , $I_D = -200\text{mA}$ $R_G = 50\Omega$ , $V_{GS} = -10\text{V}$ (refer to test circuit)
Rise Time	$t_r$		3.78		ns	
Turn-Off Delay Time	$t_{d(off)}$		17.5		ns	
Fall Time	$t_f$		7.85		ns	
Total Gate Charge	$Q_g$		2.45	3.45	nC	$V_{DS} = -25\text{V}$ , $V_{GS} = -10\text{V}$ , $I_D = -200\text{mA}$ (refer to test circuit)
Gate-Source Charge	$Q_{gs}$		0.22	0.31	nC	
Gate Drain Charge	$Q_{gd}$		0.45	0.63	nC	
<b>SOURCE-DRAIN DIODE</b>						
Diode Forward Voltage (1)	$V_{SD}$			0.97	V	$T_j = 25^{\circ}\text{C}$ , $I_S = -200\text{mA}$ , $V_{GS} = 0\text{V}$
Reverse Recovery Time (3)	$t_{rr}$		205	290	ns	$T_j = 25^{\circ}\text{C}$ , $I_F = -200\text{mA}$ , $di/dt = 100\text{A}/\mu\text{s}$
Reverse Recovery Charge (3)	$Q_{rr}$		21	29	nC	

(1) Measured under pulsed conditions. Width=300 $\mu\text{s}$ . Duty cycle  $\leq 2\%$  .

(2) Switching characteristics are independent of operating junction temperature.

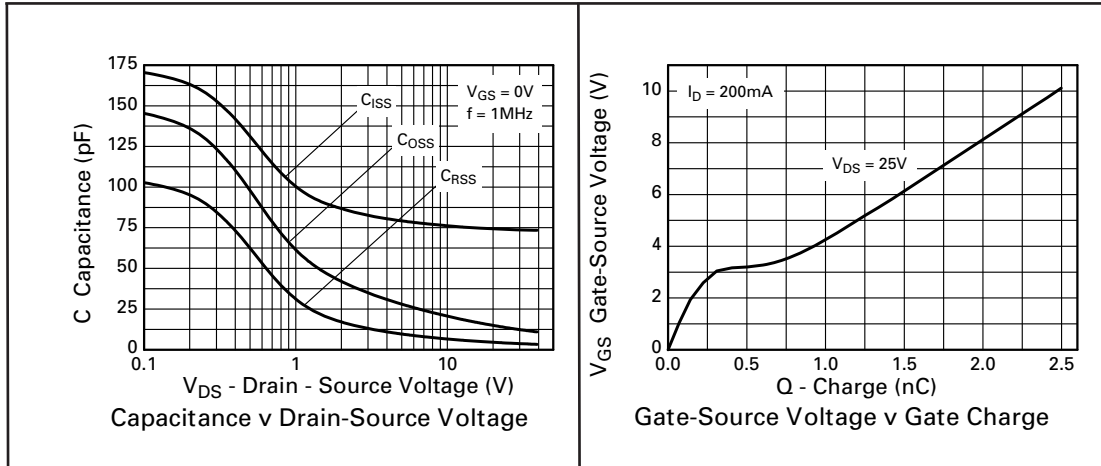
(3) For design aid only, not subject to production testing.

## TYPICAL CHARACTERISTICS



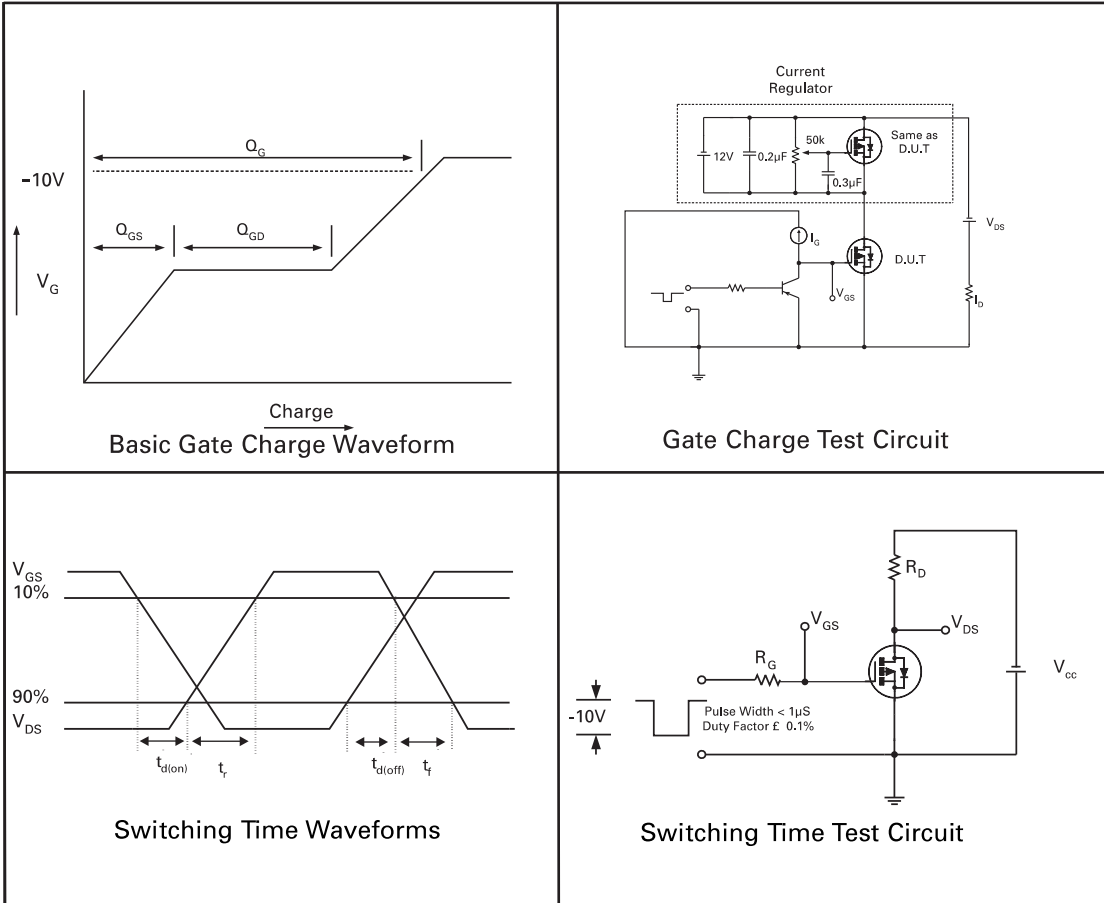
# ZVP4525Z

## CHARACTERISTICS



# TEST CIRCUITS

# ZVP4525Z



# ZVP4525Z

## Definitions

### Product change

Zetex Semiconductors reserves the right to alter, without notice, specifications, design, price or conditions of supply of any product or service. Customers are solely responsible for obtaining the latest relevant information before placing orders.

### Applications disclaimer

The circuits in this design/application note are offered as design ideas. It is the responsibility of the user to ensure that the circuit is fit for the user's application and meets with the user's requirements. No representation or warranty is given and no liability whatsoever is assumed by Zetex with respect to the accuracy or use of such information, or infringement of patents or other intellectual property rights arising from such use or otherwise. Zetex does not assume any legal responsibility or will not be held legally liable (whether in contract, tort (including negligence), breach of statutory duty, restriction or otherwise) for any damages, loss of profit, business, contract, opportunity or consequential loss in the use of these circuit applications, under any circumstances.

### Life support

Zetex products are specifically not authorized for use as critical components in life support devices or systems without the express written approval of the Chief Executive Officer of Zetex Semiconductors plc. As used herein:

A. Life support devices or systems are devices or systems which:

1. are intended to implant into the body  
or
2. support or sustain life and whose failure to perform when properly used in accordance with instructions

for use provided in the labeling can be reasonably expected to result in significant injury to the user.

B. A critical component is any component in a life support device or system whose failure to perform can be reasonably expected to cause the failure of the life support device or to affect its safety or effectiveness.

### Reproduction

The product specifications contained in this publication are issued to provide outline information only which (unless agreed by the company in writing) may not be used, applied or reproduced for any purpose or form part of any order or contract or be regarded as a representation relating to the products or services concerned.

### Terms and Conditions

All products are sold subjects to Zetex' terms and conditions of sale, and this disclaimer (save in the event of a conflict between the two when the terms of the contract shall prevail) according to region, supplied at the time of order acknowledgement.

For the latest information on technology, delivery terms and conditions and prices, please contact your nearest Zetex sales office.

### Quality of product

Zetex is an ISO 9001 and TS16949 certified semiconductor manufacturer.

To ensure quality of service and products we strongly advise the purchase of parts directly from Zetex Semiconductors or one of our regionally authorized distributors. For a complete listing of authorized distributors please visit: [www.zetex.com/salesnetwork](http://www.zetex.com/salesnetwork)

Zetex Semiconductors does not warrant or accept any liability whatsoever in respect of any parts purchased through unauthorized sales channels.

### ESD (Electrostatic discharge)

Semiconductor devices are susceptible to damage by ESD. Suitable precautions should be taken when handling and transporting devices. The possible damage to devices depends on the circumstances of the handling and transporting, and the nature of the device. The extent of damage can vary from immediate functional or parametric malfunction to degradation of function or performance in use over time. Devices suspected of being affected should be replaced.

### Green compliance

Zetex Semiconductors is committed to environmental excellence in all aspects of its operations which includes meeting or exceeding regulatory requirements with respect to the use of hazardous substances. Numerous successful programs have been implemented to reduce the use of hazardous substances and/or emissions.

All Zetex components are compliant with the RoHS directive, and through this it is supporting its customers in their compliance with WEEE and ELV directives.

### Product status key:

"Preview"Future device intended for production at some point. Samples may be available

"Active"Product status recommended for new designs

"Last time buy (LTB)"Device will be discontinued and last time buy period and delivery is in effect

"Not recommended for new designs"Device is still in production to support existing designs and production

"Obsolete"Production has been discontinued

Datasheet status key:

"Draft version" This term denotes a very early datasheet version and contains highly provisional information, which may change in any manner without notice.

"Provisional version" This term denotes a pre-release datasheet. It provides a clear indication of anticipated performance. However, changes to the test conditions and specifications may occur, at any time and without notice.

"Issue" This term denotes an issued datasheet containing finalized specifications. However, changes to specifications may occur, at any time and without notice.



ISSUE 2 - JUNE 2007

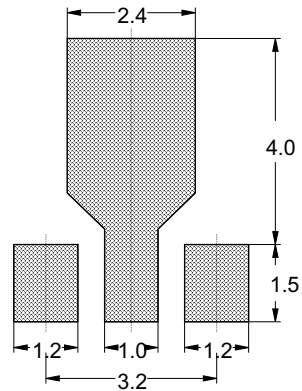


# ZVP4525Z

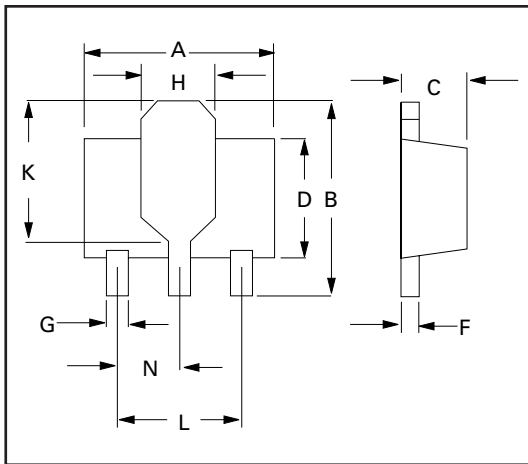
## PACKAGE DIMENSIONS

DIM	Millimetres		Inches	
	Min	Max	Min	Max
A	4.40	4.60	0.173	0.181
B	3.75	4.25	0.150	0.167
C	1.40	1.60	0.550	0.630
D	-	2.60	-	0.102
F	0.28	0.45	0.011	0.018
G	0.38	0.55	0.015	0.022
H	1.50	1.80	0.060	0.072
K	2.60	2.85	0.102	0.112
L	2.90	3.10	0.114	0.122
N	1.40	1.60	0.055	0.063

## PAD LAYOUT DETAILS



SOT89 pattern.  
Minimum Pad Size (dimensions in mm)



© Zetex Semiconductors plc 2007

Europe	Americas	Asia Pacific	Corporate Headquarters
Zetex GmbH Streitfeldstraße 19 D-81673 München Germany	Zetex Inc 700 Veterans Memorial Hwy Hauppauge, NY 11788 USA	Zetex (Asia) Ltd 3701-04 Metroplaza Tower 1 Hing Fong Road, Kwai Fong Hong Kong	Zetex Semiconductors plc Zetex Technology Park Chadderton, Oldham, OL9 9LL United Kingdom
Telefon: (49) 89 45 49 49 0 Fax: (49) 89 45 49 49 49 europe.sales@zetex.com	Telephone: (1) 631 360 2222 Fax: (1) 631 360 8222 usa.sales@zetex.com	Telephone: (852) 26100 611 Fax: (852) 24250 494 asia.sales@zetex.com	Telephone (44) 161 622 4444 Fax: (44) 161 622 4446 hq@zetex.com

ISSUE 2 - JUNE 2007

# Mouser Electronics

Authorized Distributor

Click to View Pricing, Inventory, Delivery & Lifecycle Information:

[Diodes Incorporated:](#)

[ZVP4525ZTA](#)