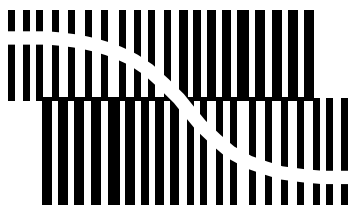


DATA SHEET



BITSTREAM CONVERSION

UDA1361TS

96 kHz sampling 24-bit stereo audio
ADC

Product specification
Supersedes data of 2001 Jan 17

2002 Nov 25



96 kHz sampling 24-bit stereo audio ADC

UDA1361TS

FEATURES

General

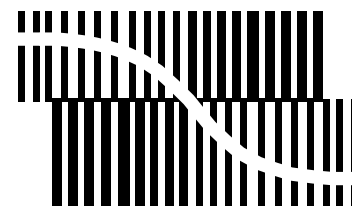
- Low power consumption
- 256, 384, 512 and 768f_s system clock
- 2.4 to 3.6 V power supply
- Supports sampling frequency of 5 to 110 kHz
- Small package size (SSOP16)
- Integrated high-pass filter to cancel DC offset
- Power-down mode
- Supports 2 V (RMS) input signals
- Easy application
- Master or slave operation.

Multiple format output interface

- I²S-bus and MSB-justified format compatible
- Up to 24 significant bits serial output.

Advanced audio configuration

- Stereo single-ended input configuration
- High linearity, dynamic range and low distortion.



BITSTREAM CONVERSION

GENERAL DESCRIPTION

The UDA1361TS is a single chip stereo Analog-to-Digital Converter (ADC) employing bitstream conversion techniques. The low power consumption and low voltage requirements make the device eminently suitable for use in low-voltage low-power portable digital audio equipment which incorporates recording functions.

The UDA1361TS supports the I²S-bus data format and the MSB-justified data format with word lengths of up to 24 bits.

ORDERING INFORMATION

| TYPE NUMBER | PACKAGE | | |
|----------------|---------|---|----------|
| | NAME | DESCRIPTION | VERSION |
| UDA1361TS | SSOP16 | plastic shrink small outline package; 16 leads; body width 4.4 mm | SOT369-1 |

96 kHz sampling 24-bit stereo audio ADC

UDA1361TS

QUICK REFERENCE DATA

| SYMBOL | PARAMETER | CONDITIONS | MIN. | TYP. | MAX. | UNIT |
|-----------------|--|----------------------------------|------|------|------|------|
| Supplies | | | | | | |
| V_{DDA} | analog supply voltage | | 2.4 | 3.0 | 3.6 | V |
| V_{DDD} | digital supply voltage | | 2.4 | 3.0 | 3.6 | V |
| I_{DDA} | analog supply current | $f_s = 48$ kHz operating mode | – | 10.5 | – | mA |
| | | Power-down mode | – | 0.5 | – | mA |
| I_{DDD} | digital supply current | $f_s = 48$ kHz operating mode | – | 3.5 | – | mA |
| | | Power-down mode | – | 0.45 | – | mA |
| T_{amb} | ambient temperature | | –40 | – | +85 | °C |
| Analog | | | | | | |
| $V_{i(rms)}$ | input voltage (RMS value) | at 0 dB(FS) equivalent | – | 1.1 | – | V |
| | | at –1 dB(FS) signal output | – | 1.0 | – | V |
| (THD + N)/S | total harmonic distortion-plus-noise to signal ratio | $f_s = 48$ kHz at –1 dB | – | –88 | –83 | dB |
| | | at –60 dB; A-weighted | – | –40 | –34 | dB |
| | | $f_s = 96$ kHz at –1 dB | – | –85 | –80 | dB |
| | | at –60 dB; A-weighted | – | –40 | –37 | dB |
| S/N | signal-to-noise ratio | $V_i = 0$ V; A-weighted | | | | |
| | | $f_s = 48$ kHz | – | 100 | – | dB |
| | | $f_s = 96$ kHz | – | 100 | – | dB |
| α_{CS} | channel separation | | – | 100 | – | dB |

96 kHz sampling 24-bit stereo audio ADC

UDA1361TS

BLOCK DIAGRAM

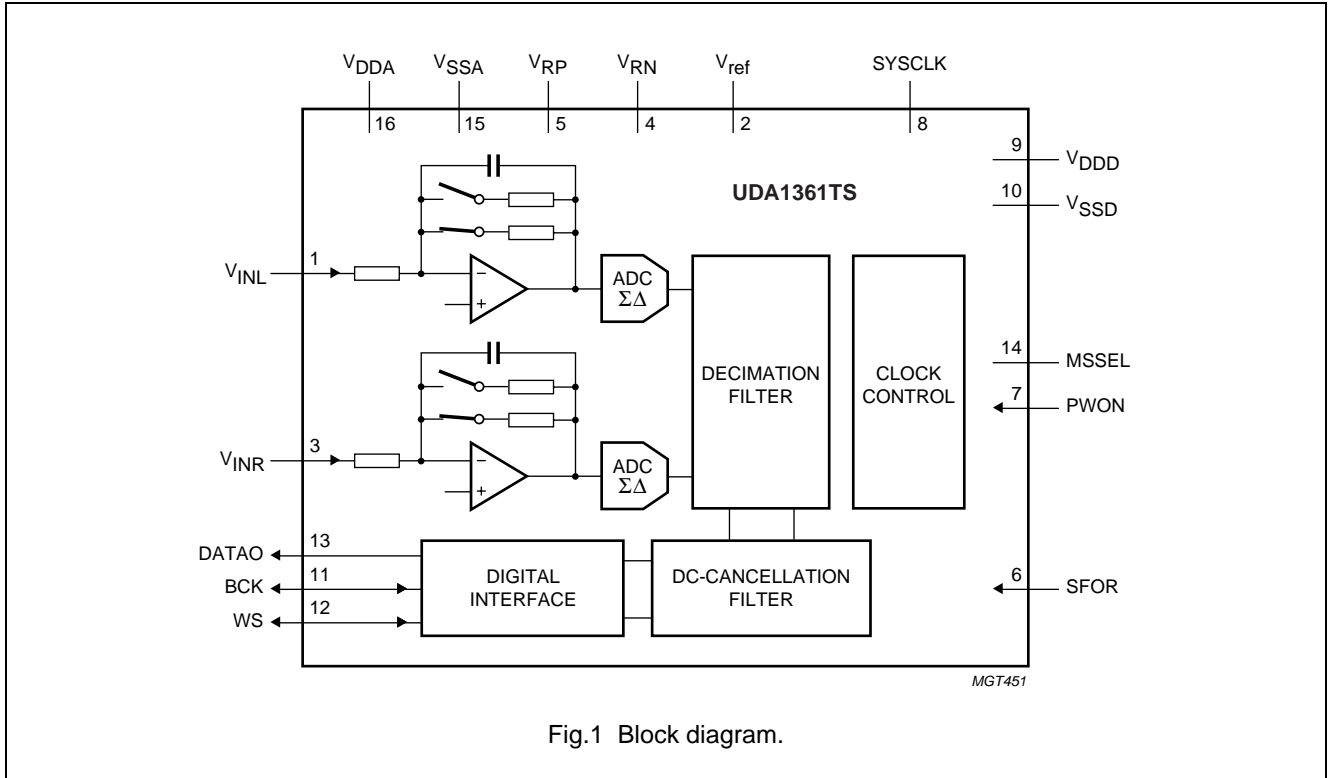


Fig.1 Block diagram.

PINNING

| SYMBOL | PIN | DESCRIPTION |
|-----------|-----|---|
| V_{INL} | 1 | left channel input |
| V_{ref} | 2 | reference voltage |
| V_{INR} | 3 | right channel input |
| V_{RN} | 4 | negative reference voltage |
| V_{RP} | 5 | positive reference voltage |
| SFOR | 6 | data format selection input |
| PWON | 7 | power control input |
| SYSCLK | 8 | system clock 256, 384, 512 or 768f _s |
| V_{DDD} | 9 | digital supply voltage |
| V_{SSD} | 10 | digital ground |
| BCK | 11 | bit clock input/output |
| WS | 12 | word select input/output |
| DATAO | 13 | data output |
| MSSEL | 14 | master/slave select |
| V_{SSA} | 15 | analog ground |
| V_{DDA} | 16 | analog supply voltage |

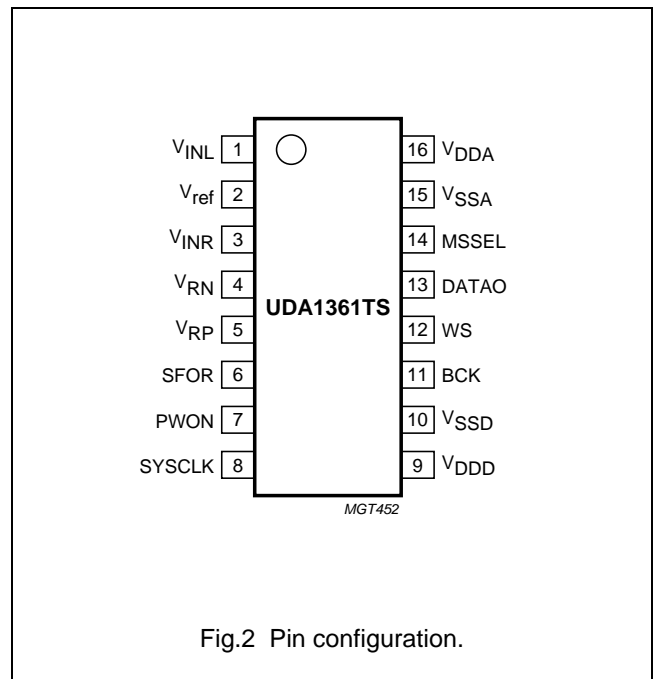


Fig.2 Pin configuration.

96 kHz sampling 24-bit stereo audio ADC

UDA1361TS

FUNCTIONAL DESCRIPTION

System clock

The UDA1361TS accommodates master and slave modes. The system devices must provide the system clock regardless of master or slave mode. In the master mode a system clock frequency of $256f_s$ is required. In the slave mode a system frequency of 256, 384, 512 or $768f_s$ is automatically detected (for a system clock of $768f_s$ the sampling frequency must be limited to 55 kHz). The system clock must be locked in frequency to the digital interface input signals.

Input level

The overall system gain is proportional to V_{DDA} , or more accurately the potential difference between the reference voltages V_{VRP} and V_{VRN} . The -1 dB input level at which THD + N/S is specified corresponds to -1 dB(FS) digital output (relative to the full-scale swing). With an input gain switch, the input level can be calculated as follows:

$$\text{at 0 dB gain: } V_i(-1 \text{ dB}) = \frac{V_{VRP} - V_{VRN}}{3} = V \text{ (RMS)}$$

$$\text{at 6 dB gain: } V_i(-1 \text{ dB}) = \frac{V_{VRP} - V_{VRN}}{2 \times 3} = V \text{ (RMS)}$$

In applications where a 2 V (RMS) input signal is used, a 12 kΩ resistor must be connected in series with the input of the ADC. This forms a voltage divider together with the internal ADC resistor and ensures that only 1 V (RMS) maximum is input to the IC.

Using this application for a 2 V (RMS) input signal, the gain switch must be set to 0 dB. When a 1 V (RMS) input signal is input to the ADC in the same application the gain switch must be set to 6 dB.

An overview of the maximum input voltage allowed against the presence of an external resistor and the setting of the gain switch is given in Table 1. The power supply voltage is assumed to be 3 V.

Table 1 Application modes using input gain stage

| RESISTOR (12 kΩ) | INPUT GAIN SWITCH | MAXIMUM INPUT VOLTAGE (RMS) |
|------------------|-------------------|-----------------------------|
| Present | 0 dB | 2 V |
| Present | 0 dB | 1 V |
| Absent | 0 dB | 1 V |
| Absent | 6 dB | 0.5 V |

Multiple format output interface

The serial interface provides the following data output formats in both master and slave modes (see Figs 3, 4 and 5):

- I²S-bus with data word length of up to 24 bits
- MSB-justified serial format with data word length of up to 24 bits.

The master mode drives pins WS (word select; $1f_s$) and BCK (bit clock; $64f_s$). WS and BCK are received in slave mode.

Table 2 Master/slave select

| MSSEL | MASTER/SLAVE SELECT |
|-------|-----------------------------|
| L | slave mode |
| H | master mode |
| M | (reserved for digital test) |

Table 3 Select data format

| SFOR | DATA FORMAT |
|------|----------------------------------|
| L | I ² S-bus data format |
| H | MSB-justified data format |
| M | (reserved for analog test) |

Decimation filter

The decimation from $64f_s$ is performed in two stages. The first stage realizes a 4th-order $\sin x/x$ characteristic. This filter decreases the sample rate by 8.

The second stage, a FIR filter, consists of 3 half-band filters, each decimating by a factor of 2.

96 kHz sampling 24-bit stereo audio ADC

UDA1361TS

Table 4 Decimation filter characteristic

| ITEM | CONDITION | VALUE (dB) |
|------------------|-----------------|------------|
| Pass-band ripple | 0 to $0.45f_s$ | ± 0.01 |
| Pass-band droop | $0.45f_s$ | -0.2 |
| Stop band | $>0.55 f_s$ | -70 |
| Dynamic range | 0 to $0.45 f_s$ | >135 |

DC cancellation filter

A IIR high-pass filter is provided to remove unwanted DC components. The filter characteristics are given in Table 5.

Table 5 DC cancellation filter characteristic

| ITEM | CONDITION | VALUE (dB) |
|-------------------|--------------------|------------|
| Pass-band ripple | - | none |
| Pass-band gain | - | 0 |
| Droop | at $0.00045f_s$ | -0.031 |
| Attenuation at DC | at $0.00000036f_s$ | >40 |
| Dynamic range | 0 to $0.45f_s$ | >135 |

Mute

On recovery from Power-down, the serial data output DATA0 is held LOW until valid data is available from the decimation filter. This time tracks with the sampling frequency:

$$t = \frac{12288}{f_s}, t = 256 \text{ ms when } f_s = 48 \text{ kHz.}$$

Power-down mode/input voltage control

The PWON pin can control the power saving together with the optional gain switch for 2 or 1 V (RMS) input.

The UDA1361TS supports 2 V (RMS) input using a series resistor of 12 k Ω . For the definition of the pin settings for 1 or 2 V (RMS) mode, it is assumed that this resistor is present as a default component.

Table 6 Power-down/input voltage control

| PWON | POWER-DOWN OR GAIN |
|------|--------------------|
| L | Power-down mode |
| M | 0 dB gain |
| H | 6 dB gain |

Serial interface formats

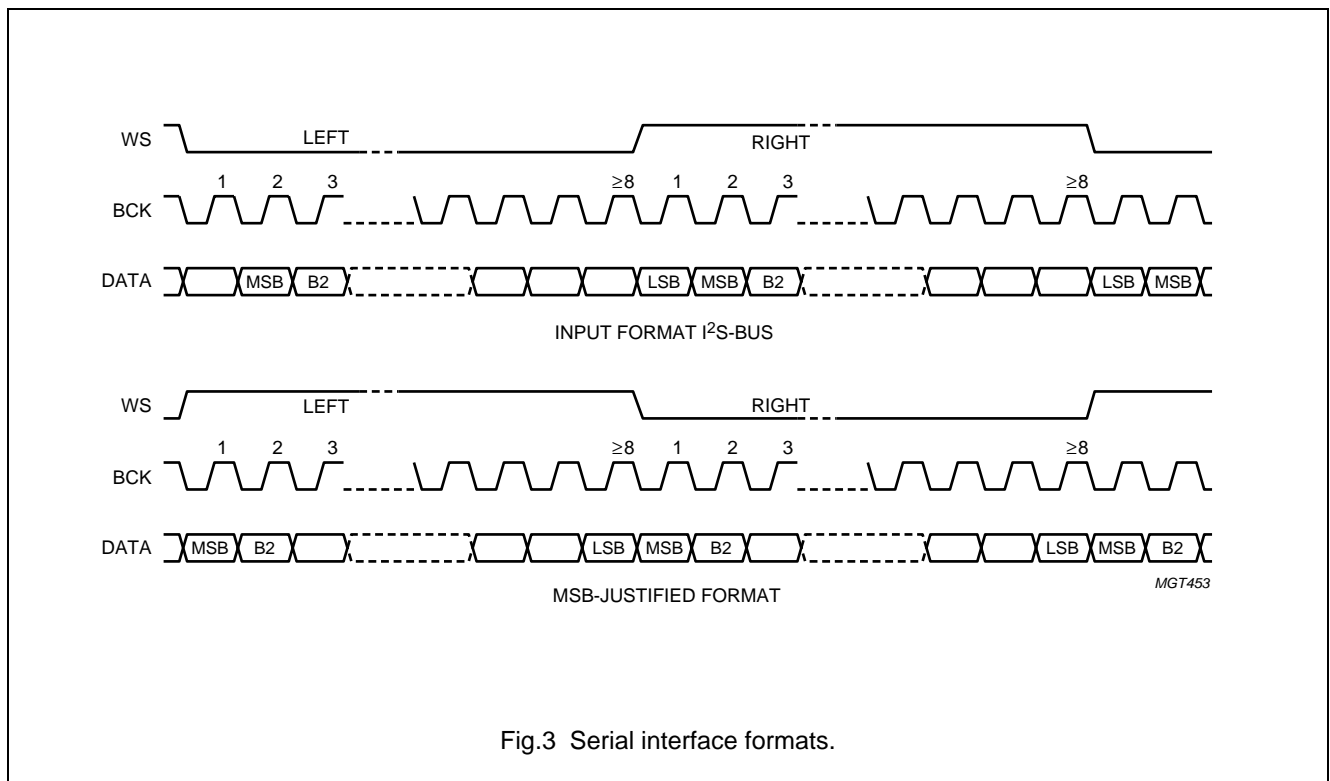


Fig.3 Serial interface formats.

96 kHz sampling 24-bit stereo audio ADC

UDA1361TS

LIMITING VALUES

In accordance with the Absolute Maximum Rating System (IEC 60134).

| SYMBOL | PARAMETER | CONDITIONS | MIN. | MAX. | UNIT |
|-----------------|--------------------------------|-------------|-------|-------|------|
| V_{DD} | supply voltage | note 1 | – | 4.0 | V |
| $T_{xtal(max)}$ | maximum crystal temperature | | – | 150 | °C |
| T_{stg} | storage temperature | | –65 | +125 | °C |
| T_{amb} | ambient temperature | | –40 | +85 | °C |
| V_{es} | electrostatic handling voltage | HBM; note 2 | –3000 | +3000 | V |
| | | MM; note 2 | –300 | +300 | V |

Notes

- All supply connections must be made to the same power supply.
- ESD behaviour is tested in accordance with JEDEC II standard:
 - Human Body Model (HBM); equivalent to discharging a 100 pF capacitor through a 1.5 k Ω series resistor.
 - Machine Model (MM); equivalent to discharging a 200 pF capacitor through a 0.75 μ H series inductor.

THERMAL CHARACTERISTICS

| SYMBOL | PARAMETER | CONDITIONS | VALUE | UNIT |
|---------------|---|-------------|-------|------|
| $R_{th(j-a)}$ | thermal resistance from junction to ambient | in free air | 130 | K/W |

DC CHARACTERISTICS

$V_{DD} = V_{DDA} = 3$ V; $T_{amb} = 25$ °C; all voltages referenced to ground (pins 10 and 15); unless otherwise specified.

| SYMBOL | PARAMETER | CONDITIONS | MIN. | TYP. | MAX. | UNIT |
|-----------------|------------------------|-----------------|------|------|------|------|
| Supplies | | | | | | |
| V_{DDA} | analog supply voltage | note 1 | 2.4 | 3.0 | 3.6 | V |
| V_{DDD} | digital supply voltage | note 1 | 2.4 | 3.0 | 3.6 | V |
| I_{DDA} | analog supply current | $f_s = 48$ kHz | | | | |
| | | operating mode | – | 10.5 | – | mA |
| | | Power-down mode | – | 0.5 | – | mA |
| | | $f_s = 96$ kHz | | | | |
| I_{DDD} | digital supply current | $f_s = 48$ kHz | | | | |
| | | operating mode | – | 3.5 | – | mA |
| | | Power-down mode | – | 0.45 | – | mA |
| | | $f_s = 96$ kHz | | | | |
| I_{DDD} | digital supply current | $f_s = 48$ kHz | | | | |
| | | operating mode | – | 7.0 | – | mA |
| | | Power-down mode | – | 0.65 | – | mA |
| | | $f_s = 96$ kHz | | | | |

96 kHz sampling 24-bit stereo audio ADC

UDA1361TS

| SYMBOL | PARAMETER | CONDITIONS | MIN. | TYP. | MAX. | UNIT |
|---|----------------------------|---------------------------|---------------|--------------|----------------|------------|
| Digital input pin (SYSCLK) | | | | | | |
| V_{IH} | HIGH-level input voltage | | 2.0 | – | 5.5 | V |
| V_{IL} | LOW-level input voltage | | –0.5 | – | +0.8 | V |
| $ I_{LI} $ | input leakage current | | – | – | 1 | μ A |
| C_i | input capacitance | | – | – | 10 | pF |
| Digital 3-level input pins (PWON, SFOR, MSSEL) | | | | | | |
| V_{IH} | HIGH-level input voltage | | $0.9V_{DD}$ | – | $V_{DD} + 0.5$ | V |
| V_{IM} | MIDDLE-level input voltage | | $0.4V_{DD}$ | – | $0.6V_{DD}$ | V |
| V_{IL} | LOW-level input voltage | | –0.5 | – | +0.4 | V |
| Digital input/output pins (BCK, WS) | | | | | | |
| V_{IH} | HIGH-level input voltage | | 2.0 | – | 5.5 | V |
| V_{IL} | LOW-level input voltage | | –0.5 | – | +0.8 | V |
| $ I_{LI} $ | input leakage current | | – | – | 1 | μ A |
| C_i | input capacitance | | – | – | 10 | pF |
| V_{OH} | HIGH-level output voltage | $I_{OH} = -2$ mA | $0.85V_{DDD}$ | – | – | V |
| V_{OL} | LOW-level output voltage | $I_{OL} = 2$ mA | – | – | 0.4 | V |
| Digital output pin (DATA0) | | | | | | |
| V_{OH} | HIGH-level output voltage | $I_{OH} = -2$ mA | $0.85V_{DDD}$ | – | – | V |
| V_{OL} | LOW-level output voltage | $I_{OL} = 2$ mA | – | – | 0.4 | V |
| Analog | | | | | | |
| V_{ref} | reference voltage | with respect to V_{SSA} | $0.45V_{DDA}$ | $0.5V_{DDA}$ | $0.55V_{DDA}$ | V |
| R_i | input resistance | | – | 12 | – | k Ω |
| C_i | input capacitance | | – | 20 | – | pF |

Note

1. All power supply connections must be connected to the same external power supply unit.

96 kHz sampling 24-bit stereo audio ADC

UDA1361TS

AC CHARACTERISTICS (ANALOG)

$V_{DD} = V_{DDA} = 3\text{ V}$; $f_i = 1\text{ kHz}$; $T_{amb} = 25\text{ °C}$; all voltages referenced to ground (pins 10 and 15); unless otherwise specified.

| SYMBOL | PARAMETER | CONDITIONS | TYP. | MAX. | UNIT |
|----------------|--|---|------|------|------|
| $V_{i(rms)}$ | input voltage (RMS value) | at 0 dB(FS) equivalent | 1.1 | – | V |
| | | at –1 dB(FS) signal output | 1.0 | – | V |
| $ \Delta V_i $ | unbalance between channels | | <0.1 | 0.4 | dB |
| (THD + N)/S | total harmonic distortion-plus-noise to signal ratio | $f_s = 48\text{ kHz}$ | | | |
| | | at –1 dB | –88 | –83 | dB |
| | | at –60 dB; A-weighted | –40 | –34 | dB |
| | | $f_s = 96\text{ kHz}$ | | | |
| | | at –1 dB | –85 | –80 | dB |
| | | at –60 dB; A-weighted | –40 | –37 | dB |
| S/N | signal-to-noise ratio | $V_i = 0\text{ V}$; A-weighted | | | |
| | | $f_s = 48\text{ kHz}$ | 100 | – | dB |
| | | $f_s = 96\text{ kHz}$ | 100 | – | dB |
| α_{CS} | channel separation | | 100 | – | dB |
| PSRR | power supply rejection ratio | $f_{ripple} = 1\text{ kHz}$; $V_{ripple} = 30\text{ mV (p-p)}$ | 30 | – | dB |

96 kHz sampling 24-bit stereo audio ADC

UDA1361TS

AC CHARACTERISTICS (DIGITAL)

$V_{DD} = V_{DDA} = 2.4$ to 3.6 V; $T_{amb} = -40$ to $+85$ °C; all voltages referenced to ground (pins 10 and 15); unless otherwise specified.

| SYMBOL | PARAMETER | CONDITIONS | MIN. | TYP. | MAX. | UNIT |
|---|--|---|---------------|---------|---------------|-------|
| System clock timing | | | | | | |
| T_{sys} | system clock cycle | $f_{sys} = 256f_s$ | 35 | 88 | 780 | ns |
| | | $f_{sys} = 384f_s$ | 23 | 59 | 520 | ns |
| | | $f_{sys} = 512f_s$ | 17 | 44 | 390 | ns |
| | | $f_{sys} = 768f_s$ | 17 | 30 | 260 | ns |
| t_{CWL} | LOW-level system clock pulse width | | $0.40T_{sys}$ | – | $0.60T_{sys}$ | ns |
| t_{CWH} | HIGH-level system clock pulse width | | $0.40T_{sys}$ | – | $0.60T_{sys}$ | ns |
| Serial data timing; see Figs 4 and 5 | | | | | | |
| $T_{cy(CLK)(bit)}$ | bit clock period | $f_{cy} = \frac{1}{T_{cy}}$; master mode | $64f_s$ | $64f_s$ | $64f_s$ | Hz |
| | | $f_{cy} = \frac{1}{T_{cy}}$; slave mode | – | – | $64f_s$ | Hz |
| t_{BCKH} | bit clock HIGH time | | 50 | – | – | ns |
| t_{BCKL} | bit clock LOW time | | 50 | – | – | ns |
| t_r | rise time | | – | – | 20 | ns |
| t_f | fall time | | – | – | 20 | ns |
| $t_{d(o)(D)(BCK)}$ | data output delay time (from BCK falling edge) | | – | – | 40 | ns |
| $t_{d(o)(D)(WS)}$ | data output delay time (from WS edge) | MSB-justified format | – | – | 40 | ns |
| $t_{h(o)(D)}$ | data output hold time | | 0 | – | – | ns |
| $t_{r(WS)}$ | word select rise time | | – | – | 20 | ns |
| $t_{f(WS)}$ | word select fall time | | – | – | 20 | ns |
| f_{WS} | word select period | | 1 | 1 | 1 | f_s |
| $t_{d(WS)(BCK)}$ | word select delay from BCK | master mode | –40 | – | +40 | ns |
| $t_{su(WS)}$ | word select set-up time | slave mode | 20 | – | – | ns |
| $t_{h(WS)}$ | word select hold time | slave mode | 10 | – | – | ns |

96 kHz sampling 24-bit stereo audio ADC

UDA1361TS

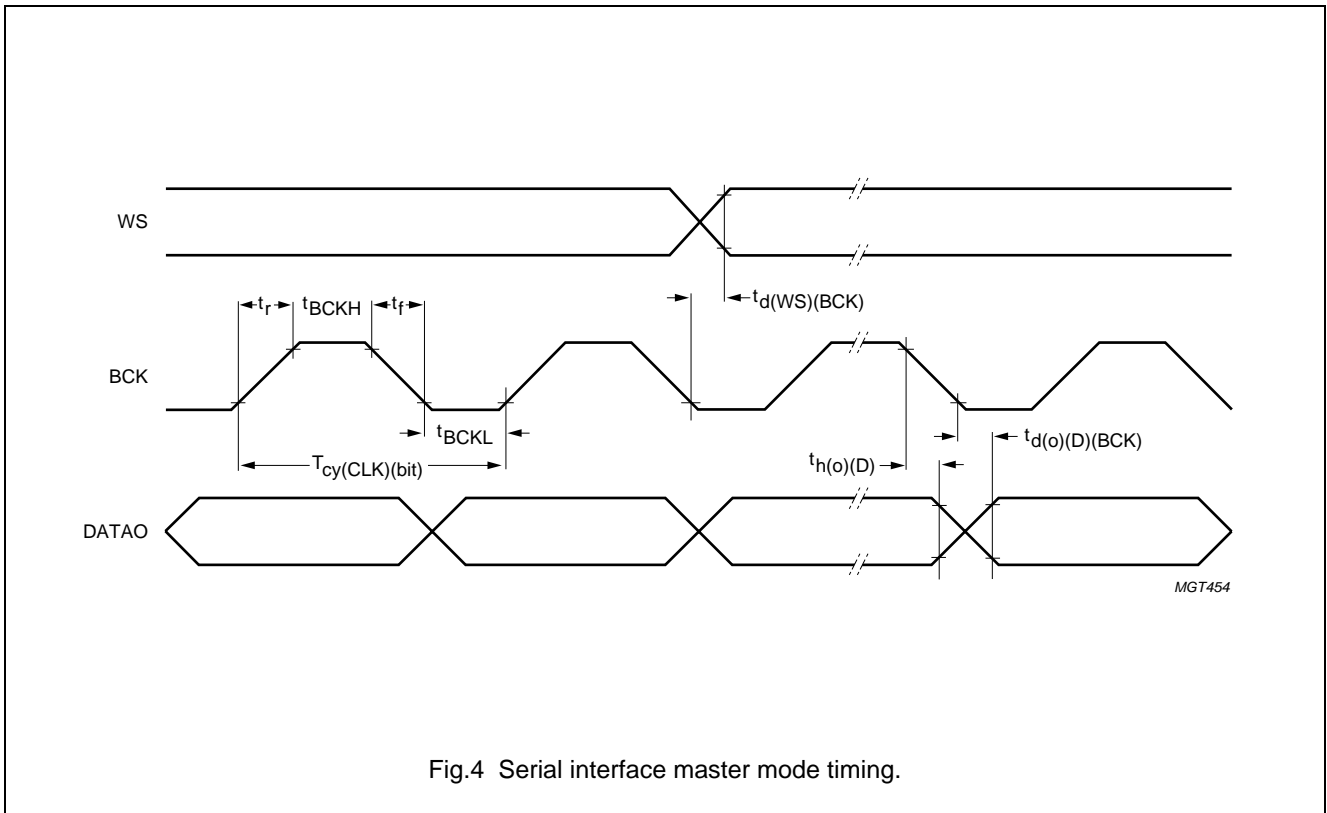


Fig.4 Serial interface master mode timing.

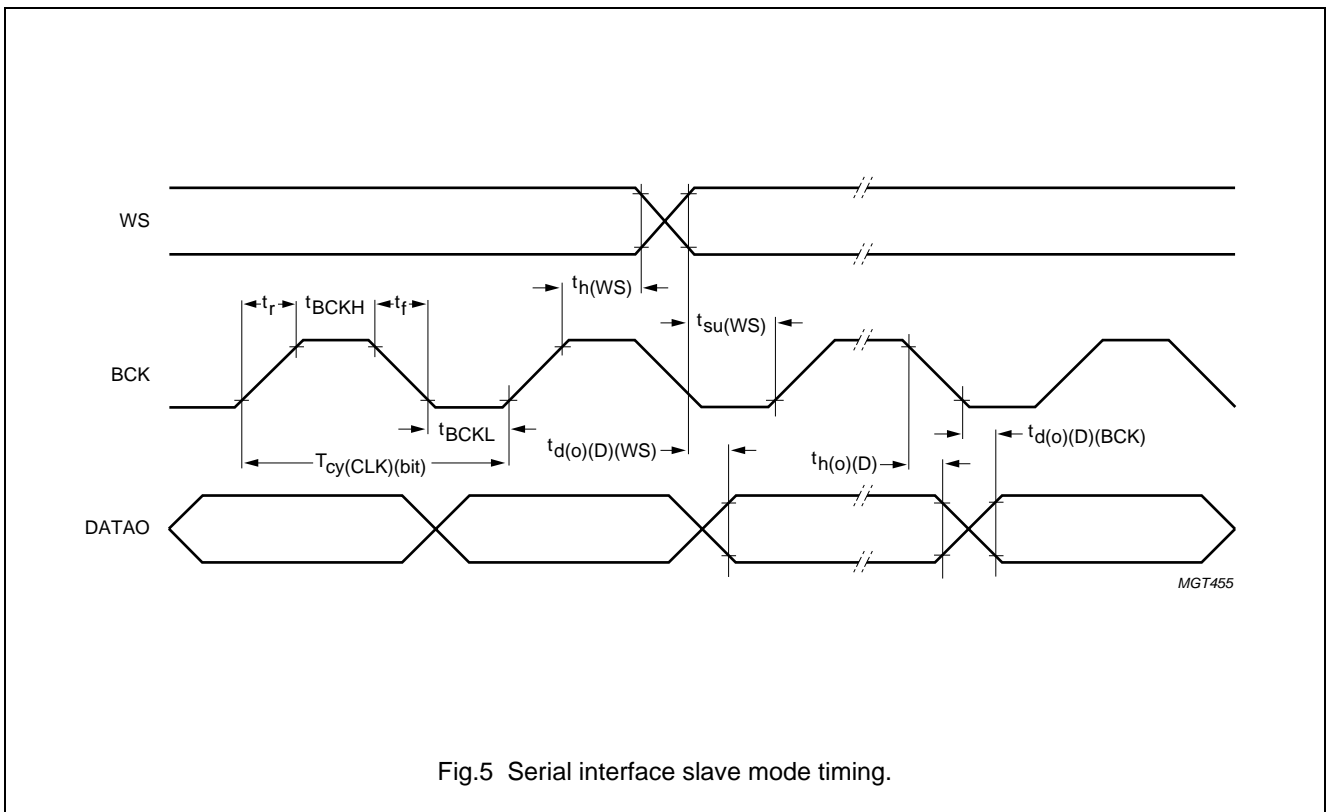


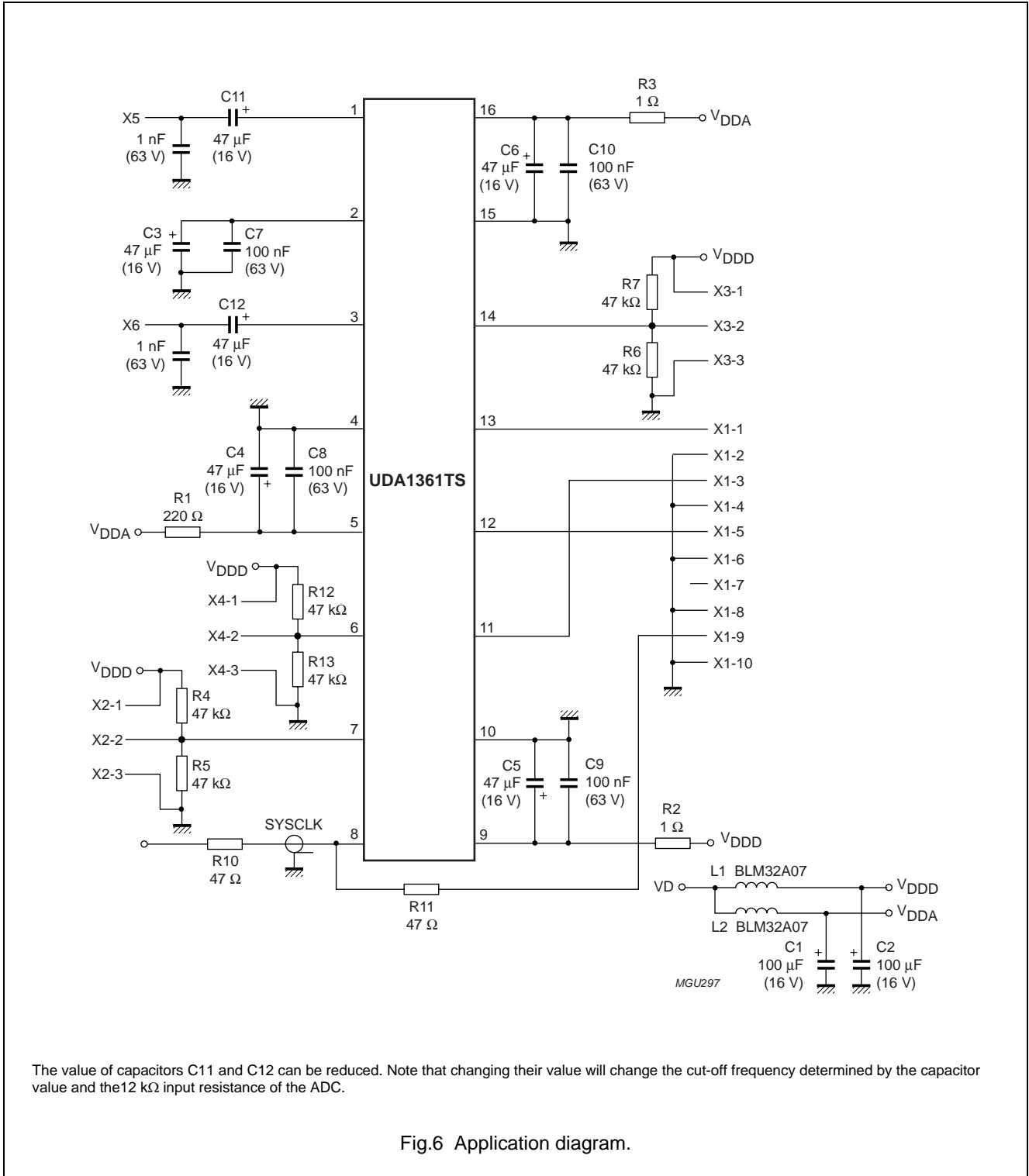
Fig.5 Serial interface slave mode timing.

96 kHz sampling 24-bit stereo audio ADC

UDA1361TS

APPLICATION INFORMATION

The application information illustrated in Fig.6, is an optimum application environment. Simplification is possible at the cost of some performance degradation.



The value of capacitors C11 and C12 can be reduced. Note that changing their value will change the cut-off frequency determined by the capacitor value and the 12 kΩ input resistance of the ADC.

Fig.6 Application diagram.

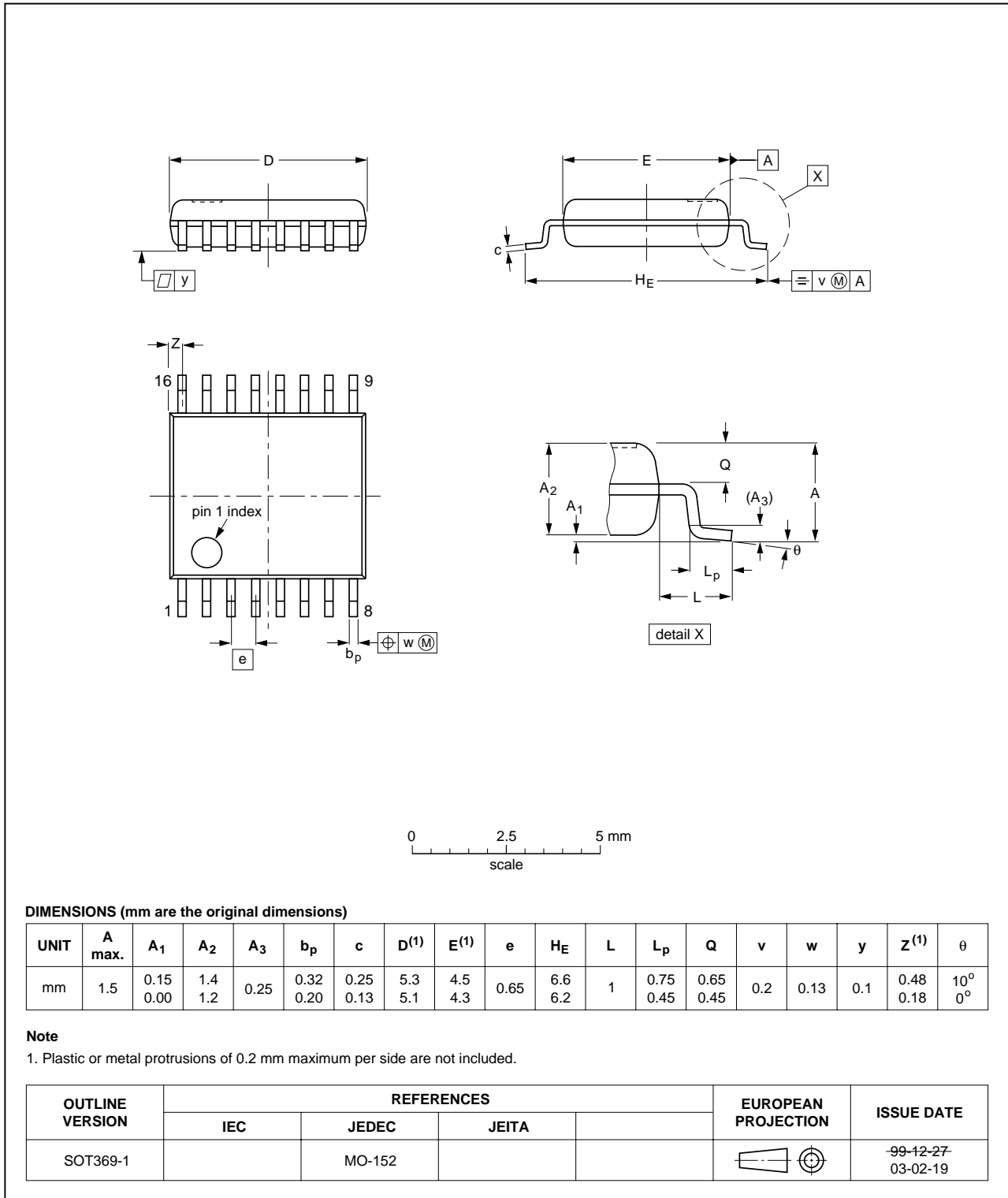
96 kHz sampling 24-bit stereo audio ADC

UDA1361TS

PACKAGE OUTLINE

SSOP16: plastic shrink small outline package; 16 leads; body width 4.4 mm

SOT369-1



96 kHz sampling 24-bit stereo audio ADC

UDA1361TS

SOLDERING**Introduction to soldering surface mount packages**

This text gives a very brief insight to a complex technology. A more in-depth account of soldering ICs can be found in our *“Data Handbook IC26; Integrated Circuit Packages”* (document order number 9398 652 90011).

There is no soldering method that is ideal for all surface mount IC packages. Wave soldering can still be used for certain surface mount ICs, but it is not suitable for fine pitch SMDs. In these situations reflow soldering is recommended.

Reflow soldering

Reflow soldering requires solder paste (a suspension of fine solder particles, flux and binding agent) to be applied to the printed-circuit board by screen printing, stencilling or pressure-syringe dispensing before package placement.

Several methods exist for reflowing; for example, convection or convection/infrared heating in a conveyor type oven. Throughput times (preheating, soldering and cooling) vary between 100 and 200 seconds depending on heating method.

Typical reflow peak temperatures range from 215 to 250 °C. The top-surface temperature of the packages should preferably be kept below 220 °C for thick/large packages, and below 235 °C for small/thin packages.

Wave soldering

Conventional single wave soldering is not recommended for surface mount devices (SMDs) or printed-circuit boards with a high component density, as solder bridging and non-wetting can present major problems.

To overcome these problems the double-wave soldering method was specifically developed.

If wave soldering is used the following conditions must be observed for optimal results:

- Use a double-wave soldering method comprising a turbulent wave with high upward pressure followed by a smooth laminar wave.
- For packages with leads on two sides and a pitch (e):
 - larger than or equal to 1.27 mm, the footprint longitudinal axis is **preferred** to be parallel to the transport direction of the printed-circuit board;
 - smaller than 1.27 mm, the footprint longitudinal axis **must** be parallel to the transport direction of the printed-circuit board.

The footprint must incorporate solder thieves at the downstream end.

- For packages with leads on four sides, the footprint must be placed at a 45° angle to the transport direction of the printed-circuit board. The footprint must incorporate solder thieves downstream and at the side corners.

During placement and before soldering, the package must be fixed with a droplet of adhesive. The adhesive can be applied by screen printing, pin transfer or syringe dispensing. The package can be soldered after the adhesive is cured.

Typical dwell time is 4 seconds at 250 °C.

A mildly-activated flux will eliminate the need for removal of corrosive residues in most applications.

Manual soldering

Fix the component by first soldering two diagonally-opposite end leads. Use a low voltage (24 V or less) soldering iron applied to the flat part of the lead. Contact time must be limited to 10 seconds at up to 300 °C.

When using a dedicated tool, all other leads can be soldered in one operation within 2 to 5 seconds between 270 and 320 °C.

96 kHz sampling 24-bit stereo audio ADC

UDA1361TS

Suitability of surface mount IC packages for wave and reflow soldering methods

| PACKAGE ⁽¹⁾ | SOLDERING METHOD | |
|--|-----------------------------------|-----------------------|
| | WAVE | REFLOW ⁽²⁾ |
| BGA, LBGA, LFBGA, SQFP, TFBGA, VFBGA | not suitable | suitable |
| HBCC, HBGA, HLQFP, HSQFP, HSOP, HTQFP, HTSSOP, HVQFN, HVSON, SMS | not suitable ⁽³⁾ | suitable |
| PLCC ⁽⁴⁾ , SO, SOJ | suitable | suitable |
| LQFP, QFP, TQFP | not recommended ⁽⁴⁾⁽⁵⁾ | suitable |
| SSOP, TSSOP, VSO | not recommended ⁽⁶⁾ | suitable |

Notes

1. For more detailed information on the BGA packages refer to the “*(LF)BGA Application Note*” (AN01026); order a copy from your NXP Semiconductors sales office.
2. All surface mount (SMD) packages are moisture sensitive. Depending upon the moisture content, the maximum temperature (with respect to time) and body size of the package, there is a risk that internal or external package cracks may occur due to vaporization of the moisture in them (the so called popcorn effect). For details, refer to the Drypack information in the “*Data Handbook IC26; Integrated Circuit Packages; Section: Packing Methods*”.
3. These packages are not suitable for wave soldering. On versions with the heatsink on the bottom side, the solder cannot penetrate between the printed-circuit board and the heatsink. On versions with the heatsink on the top side, the solder might be deposited on the heatsink surface.
4. If wave soldering is considered, then the package must be placed at a 45° angle to the solder wave direction. The package footprint must incorporate solder thieves downstream and at the side corners.
5. Wave soldering is suitable for LQFP, TQFP and QFP packages with a pitch (e) larger than 0.8 mm; it is definitely not suitable for packages with a pitch (e) equal to or smaller than 0.65 mm.
6. Wave soldering is suitable for SSOP and TSSOP packages with a pitch (e) equal to or larger than 0.65 mm; it is definitely not suitable for packages with a pitch (e) equal to or smaller than 0.5 mm.

96 kHz sampling 24-bit stereo audio ADC

UDA1361TS

DATA SHEET STATUS

| DOCUMENT STATUS ⁽¹⁾ | PRODUCT STATUS ⁽²⁾ | DEFINITION |
|--------------------------------|-------------------------------|---|
| Objective data sheet | Development | This document contains data from the objective specification for product development. |
| Preliminary data sheet | Qualification | This document contains data from the preliminary specification. |
| Product data sheet | Production | This document contains the product specification. |

Notes

1. Please consult the most recently issued document before initiating or completing a design.
2. The product status of device(s) described in this document may have changed since this document was published and may differ in case of multiple devices. The latest product status information is available on the Internet at URL <http://www.nxp.com>.

DISCLAIMERS

Limited warranty and liability — Information in this document is believed to be accurate and reliable. However, NXP Semiconductors does not give any representations or warranties, expressed or implied, as to the accuracy or completeness of such information and shall have no liability for the consequences of use of such information.

In no event shall NXP Semiconductors be liable for any indirect, incidental, punitive, special or consequential damages (including - without limitation - lost profits, lost savings, business interruption, costs related to the removal or replacement of any products or rework charges) whether or not such damages are based on tort (including negligence), warranty, breach of contract or any other legal theory.

Notwithstanding any damages that customer might incur for any reason whatsoever, NXP Semiconductors' aggregate and cumulative liability towards customer for the products described herein shall be limited in accordance with the *Terms and conditions of commercial sale* of NXP Semiconductors.

Right to make changes — NXP Semiconductors reserves the right to make changes to information published in this document, including without limitation specifications and product descriptions, at any time and without notice. This document supersedes and replaces all information supplied prior to the publication hereof.

Suitability for use — NXP Semiconductors products are not designed, authorized or warranted to be suitable for use in life support, life-critical or safety-critical systems or equipment, nor in applications where failure or malfunction of an NXP Semiconductors product can reasonably be expected to result in personal injury, death or severe

property or environmental damage. NXP Semiconductors accepts no liability for inclusion and/or use of NXP Semiconductors products in such equipment or applications and therefore such inclusion and/or use is at the customer's own risk.

Applications — Applications that are described herein for any of these products are for illustrative purposes only. NXP Semiconductors makes no representation or warranty that such applications will be suitable for the specified use without further testing or modification.

Customers are responsible for the design and operation of their applications and products using NXP Semiconductors products, and NXP Semiconductors accepts no liability for any assistance with applications or customer product design. It is customer's sole responsibility to determine whether the NXP Semiconductors product is suitable and fit for the customer's applications and products planned, as well as for the planned application and use of customer's third party customer(s). Customers should provide appropriate design and operating safeguards to minimize the risks associated with their applications and products.

NXP Semiconductors does not accept any liability related to any default, damage, costs or problem which is based on any weakness or default in the customer's applications or products, or the application or use by customer's third party customer(s). Customer is responsible for doing all necessary testing for the customer's applications and products using NXP Semiconductors products in order to avoid a default of the applications and the products or of the application or use by customer's third party customer(s). NXP does not accept any liability in this respect.

96 kHz sampling 24-bit stereo audio ADC

UDA1361TS

Limiting values — Stress above one or more limiting values (as defined in the Absolute Maximum Ratings System of IEC 60134) will cause permanent damage to the device. Limiting values are stress ratings only and (proper) operation of the device at these or any other conditions above those given in the Recommended operating conditions section (if present) or the Characteristics sections of this document is not warranted. Constant or repeated exposure to limiting values will permanently and irreversibly affect the quality and reliability of the device.

Terms and conditions of commercial sale — NXP Semiconductors products are sold subject to the general terms and conditions of commercial sale, as published at <http://www.nxp.com/profile/terms>, unless otherwise agreed in a valid written individual agreement. In case an individual agreement is concluded only the terms and conditions of the respective agreement shall apply. NXP Semiconductors hereby expressly objects to applying the customer's general terms and conditions with regard to the purchase of NXP Semiconductors products by customer.

No offer to sell or license — Nothing in this document may be interpreted or construed as an offer to sell products that is open for acceptance or the grant, conveyance or implication of any license under any copyrights, patents or other industrial or intellectual property rights.

Export control — This document as well as the item(s) described herein may be subject to export control regulations. Export might require a prior authorization from national authorities.

Quick reference data — The Quick reference data is an extract of the product data given in the Limiting values and Characteristics sections of this document, and as such is not complete, exhaustive or legally binding.

Non-automotive qualified products — Unless this data sheet expressly states that this specific NXP Semiconductors product is automotive qualified, the product is not suitable for automotive use. It is neither qualified nor tested in accordance with automotive testing or application requirements. NXP Semiconductors accepts no liability for inclusion and/or use of non-automotive qualified products in automotive equipment or applications.

In the event that customer uses the product for design-in and use in automotive applications to automotive specifications and standards, customer (a) shall use the product without NXP Semiconductors' warranty of the product for such automotive applications, use and specifications, and (b) whenever customer uses the product for automotive applications beyond NXP Semiconductors' specifications such use shall be solely at customer's own risk, and (c) customer fully indemnifies NXP Semiconductors for any liability, damages or failed product claims resulting from customer design and use of the product for automotive applications beyond NXP Semiconductors' standard warranty and NXP Semiconductors' product specifications.

NXP Semiconductors

provides High Performance Mixed Signal and Standard Product solutions that leverage its leading RF, Analog, Power Management, Interface, Security and Digital Processing expertise

Customer notification

This data sheet was changed to reflect the new company name NXP Semiconductors, including new legal definitions and disclaimers. No changes were made to the technical content, except for package outline drawings which were updated to the latest version.

Contact information

For additional information please visit: <http://www.nxp.com>

For sales offices addresses send e-mail to: salesaddresses@nxp.com

© NXP B.V. 2010

All rights are reserved. Reproduction in whole or in part is prohibited without the prior written consent of the copyright owner.

The information presented in this document does not form part of any quotation or contract, is believed to be accurate and reliable and may be changed without notice. No liability will be accepted by the publisher for any consequence of its use. Publication thereof does not convey nor imply any license under patent- or other industrial or intellectual property rights.

Printed in The Netherlands

753503/02/pp18

Date of release: 2002 Nov 25

Document order number: 9397 750 10479

Mouser Electronics

Authorized Distributor

Click to View Pricing, Inventory, Delivery & Lifecycle Information:

[NXP:](#)

[UDA1361TS/N1,112](#) [UDA1361TS/N1,118](#)