



NDFP03N150C

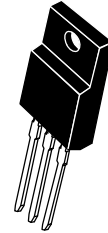
N-Channel Power MOSFET 1500V, 2.5A, 10.5Ω, TO-220F-3FS

ON Semiconductor®

<http://onsemi.com>

Features

- On-resistance $R_{DS(on)}=8\Omega$ (typ.)
- Input Capacitance $C_{iss}=650pF$ (typ.)
- 10V drive



TO-220F-3FS

Specifications

Absolute Maximum Ratings at $T_a = 25^\circ C$

Parameter	Symbol	Conditions	Ratings	Unit
Drain to Source Voltage	V_{DSS}		1500	V
Gate to Source Voltage	V_{GSS}		± 30	V
Drain Current (DC)	I_D		2.5	A
Drain Current (DC) Limited by Package	I_{DL}		2	A
Drain Current (Pulse)	I_{DP}	$PW \leq 10\mu s$, duty cycle $\leq 1\%$	5	A
Allowable Power Dissipation	P_D		2	W
		$T_c = 25^\circ C$	32	W
Channel Temperature	T_{ch}		150	$^\circ C$
Storage Temperature	T_{stg}		-55 to +150	$^\circ C$
Avalanche Energy (Single Pulse) * ¹	E_{AS}		20	mJ
Avalanche Current * ²	I_{AV}		2	A

*¹ $V_{DD}=50V$, $L=10mH$, $I_{AV}=2A$ (Fig.1)*² $L \leq 10mH$, Single Pulse

Stresses exceeding Maximum Ratings may damage the device. Maximum Ratings are stress ratings only. Functional operation above the Recommended Operating Conditions is not implied. Extended exposure to stresses above the Recommended Operating Conditions may affect device reliability.

Electrical Characteristics at $T_a = 25^\circ C$

Parameter	Symbol	Conditions	Ratings			Unit
			min	typ	max	
Drain to Source Breakdown Voltage	$V_{(BR)DSS}$	$I_D=10mA$, $V_{GS}=0V$	1500			V
Zero-Gate Voltage Drain Current	I_{DSS}	$V_{DS}=1200V$, $V_{GS}=0V$			1	mA
Gate to Source Leakage Current	I_{GSS}	$V_{GS}=\pm 30V$, $V_{DS}=0V$			± 100	nA
Cutoff Voltage	$V_{GS(off)}$	$V_{DS}=10V$, $I_D=1mA$	2		4	V
Forward Transfer Admittance	$ y_{fs} $	$V_{DS}=20V$, $I_D=1A$		1.9		S
Static Drain to Source On-State Resistance	$R_{DS(on)}$	$I_D=1A$, $V_{GS}=10V$		8	10.5	Ω
Input Capacitance	C_{iss}	$V_{DS}=30V$, $f=1MHz$		650		pF
Output Capacitance	C_{oss}			70		pF
Reverse Transfer Capacitance	C_{rss}			20		pF
Turn-ON Delay Time	$t_{d(on)}$		See Fig.2		15	
Rise Time	t_r			20		ns
Turn-OFF Delay Time	$t_{d(off)}$			148		ns
Fall Time	t_f			44		ns

Continued on next Page.

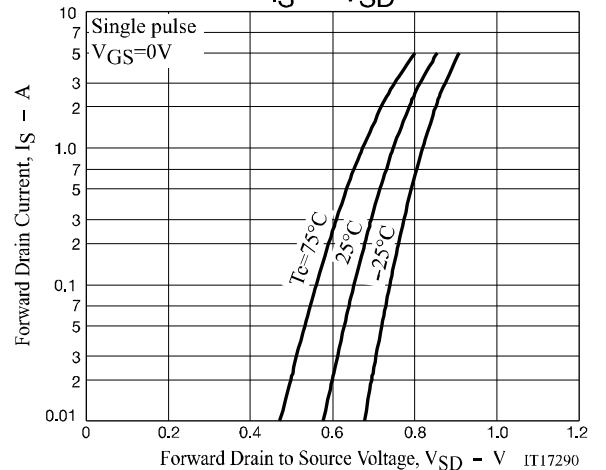
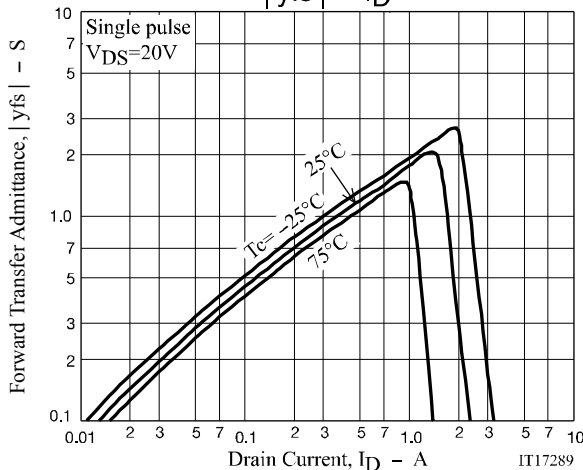
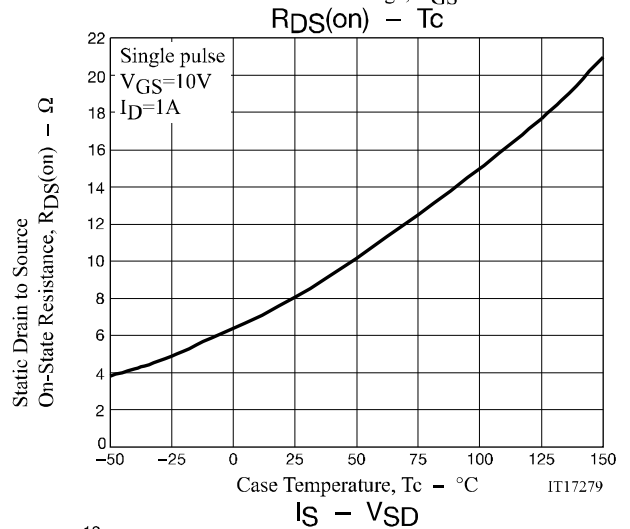
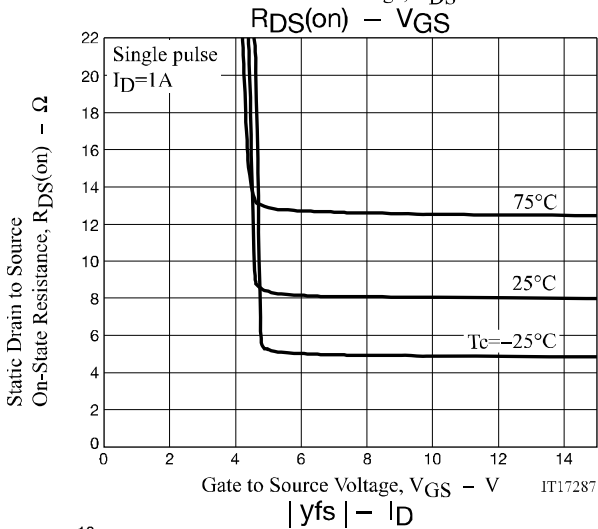
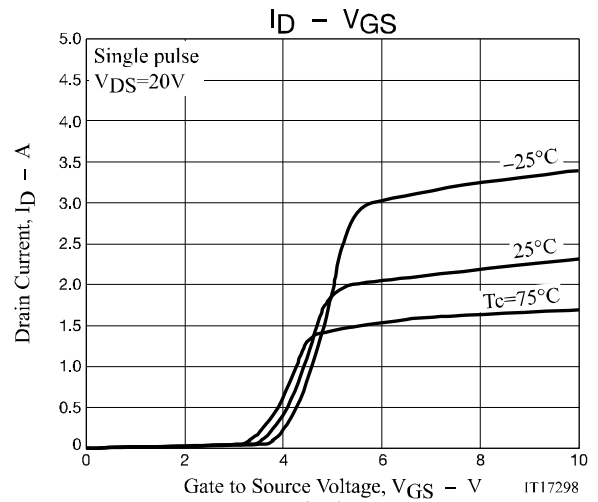
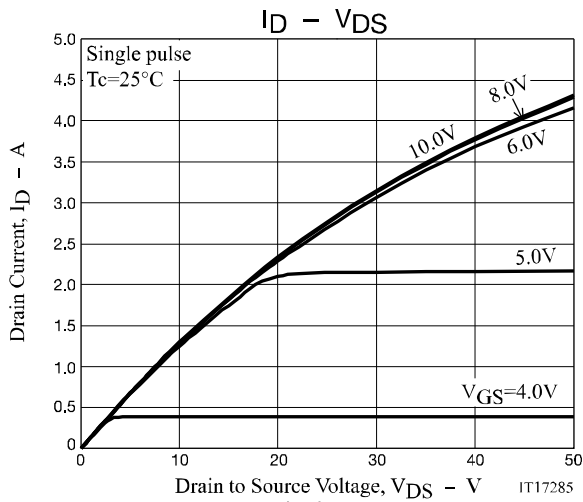
ORDERING INFORMATION

See detailed ordering and shipping information on page 4 of this data sheet.

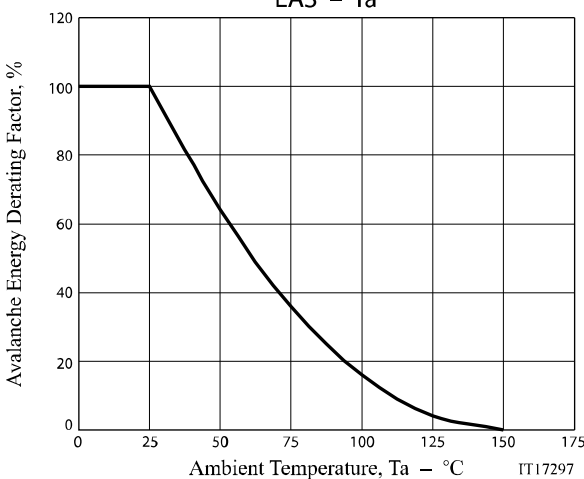
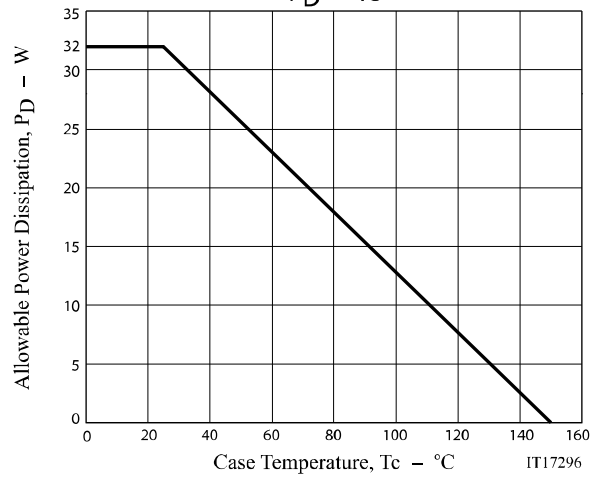
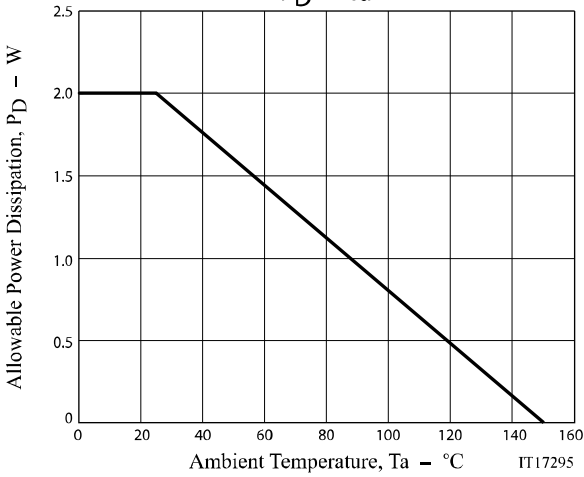
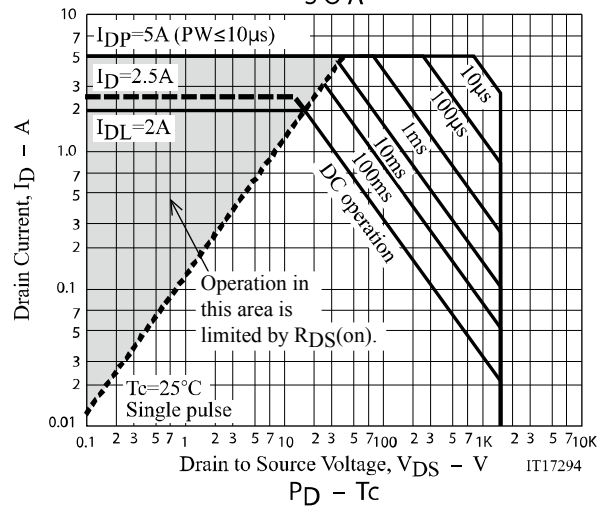
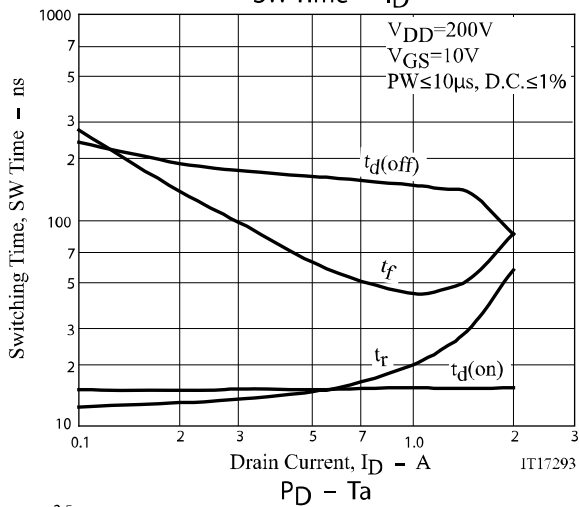
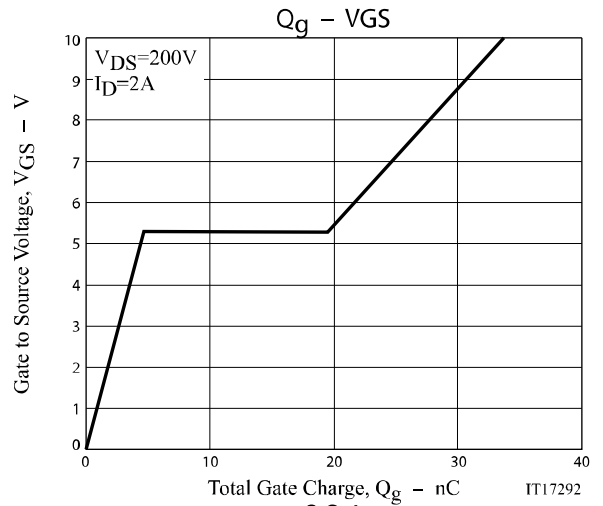
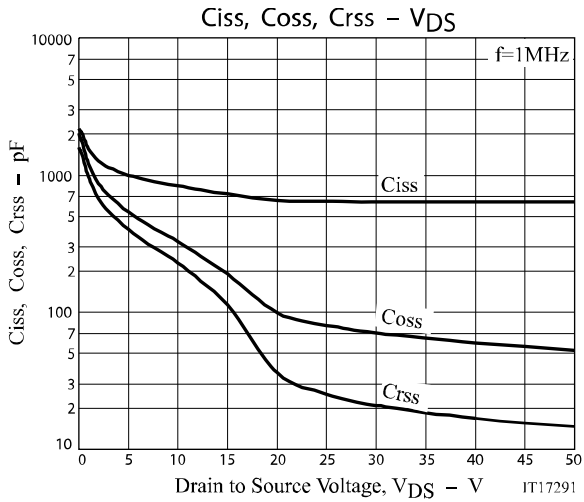
NDFP03N150C

Continued from preceding Page.

Total Gate Charge	Qg	$V_{DS}=200V, V_{GS}=10V, I_D=2A$	34		nC
Gate to Source Charge	Qgs		4.7		nC
Gate to Drain "Miller" Charge	Qgd		15		nC
Diode Forward Voltage	V_{SD}	$I_S=2A, V_{GS}=0V$	0.78	1.5	V
Reverse Recovery Time	t_{rr}	See Fig.3	300		ns
Reverse Recovery Charge	Qrr	$I_S=2A, V_{GS}=0V, di/dt=100A/\mu s$	1900		nC



NDFP03N150C



NDFP03N150C

Package Dimensions

NDFP03N150CG

TO-220F-3FS

CASE 221AM

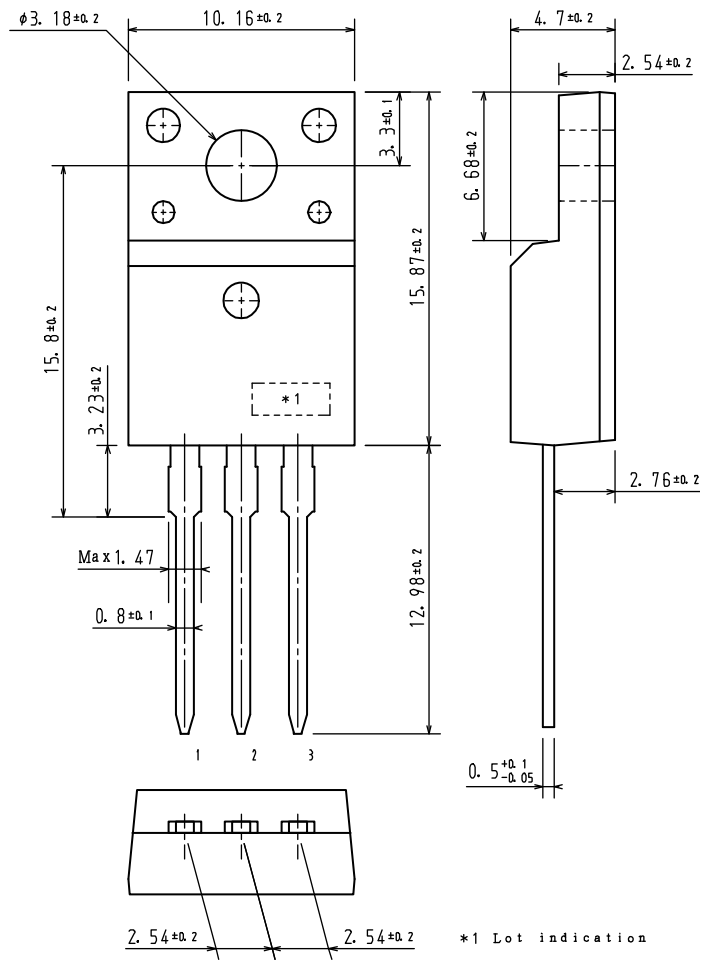
ISSUE O

Unit : mm

1: Gate

2: Drain

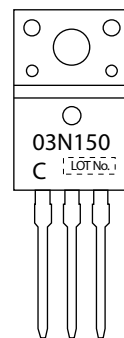
3: Source



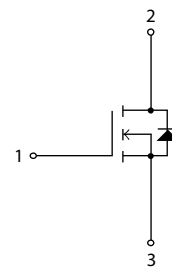
Ordering & Package Information

Device	Package	Shipping	note
NDFP03N150CG	TO-220F-3FS SC-67,	50 pcs. / tube	Pb-Free

Marking



Electrical Connection



NDFP03N150C

Fig.1 Unclamped Inductive Switching Test Circuit

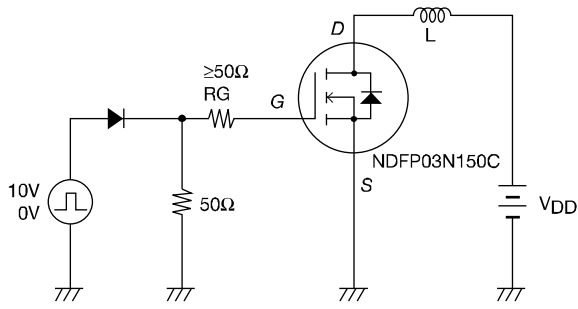


Fig.2 Switching Time Test Circuit

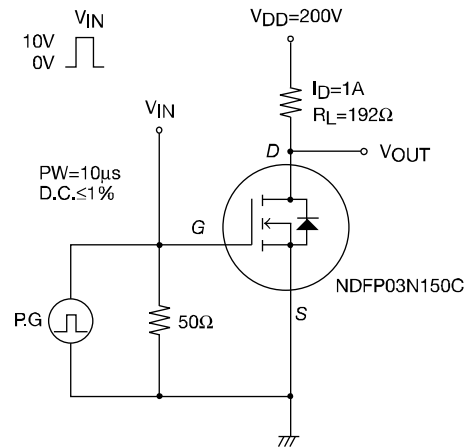
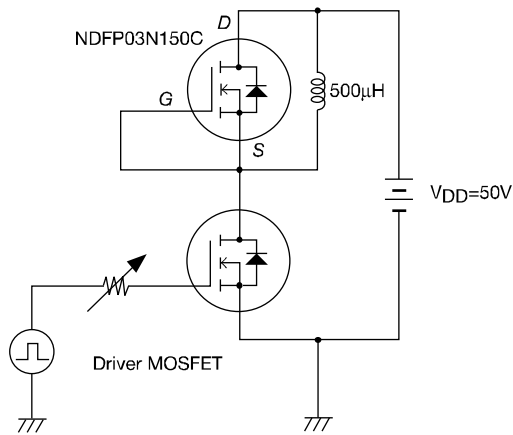


Fig.3 Reverse Recovery Time Test Circuit



Note on usage : Since the NDFP03N150C is a MOSFET product, please avoid using this device in the vicinity of highly charged objects.

ON Semiconductor and the ON logo are registered trademarks of Semiconductor Components Industries, LLC (SCILLC). SCILLC owns the rights to a number of patents, trademarks, copyrights, trade secrets, and other intellectual property. A listing of SCILLC's product/patent coverage may be accessed at www.onsemi.com/site/pdf/Patent-Marking.pdf. SCILLC reserves the right to make changes without further notice to any products herein. SCILLC makes no warranty, representation or guarantee regarding the suitability of its products for any particular purpose, nor does SCILLC assume any liability arising out of the application or use of any product or circuit, and specifically disclaims any and all liability, including without limitation special, consequential or incidental damages. "Typical" parameters which may be provided in SCILLC data sheets and/or specifications can and do vary in different applications and actual performance may vary over time. All operating parameters, including "Typicals" must be validated for each customer application by customer's technical experts. SCILLC does not convey any license under its patent rights nor the rights of others. SCILLC products are not designed, intended, or authorized for use as components in systems intended for surgical implant into the body, or other applications intended to support or sustain life, or for any other application in which the failure of the SCILLC product could create a situation where personal injury or death may occur. Should Buyer purchase or use SCILLC products for any such unintended or unauthorized application, Buyer shall indemnify and hold SCILLC and its officers, employees, subsidiaries, affiliates, and distributors harmless against all claims, costs, damages, and expenses, and reasonable attorney fees arising out of, directly or indirectly, any claim of personal injury or death associated with such unintended or unauthorized use, even if such claim alleges that SCILLC was negligent regarding the design or manufacture of the part. SCILLC is an Equal Opportunity/Affirmative Action Employer. This literature is subject to all applicable copyright laws and is not for resale in any manner.

Mouser Electronics

Authorized Distributor

Click to View Pricing, Inventory, Delivery & Lifecycle Information:

[ON Semiconductor:](#)

[NDFP03N150CG](#)