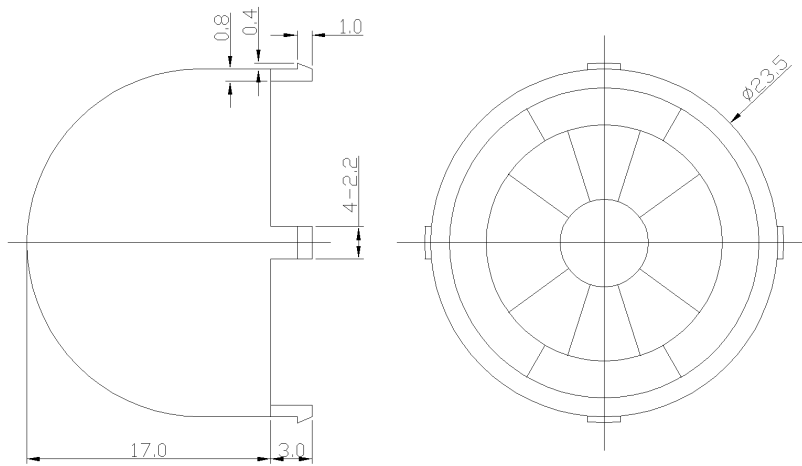


型号	焦距	角度	距离	尺寸
Model	Focus	Angel	Length	Type
S9003	10.5mm	100°	6m	23.5mm×23.5mm× (3.0+17.0)mm



Nanyang Senba Optical & Electronic Co.,Ltd

Web: www.sbcde.com.cn

Sales office in Shenzhen:

Add: No.4 Building,Huawan Industry Area,BaoAn Road,BaoAn District,Shenzhen,China.

Tel: 86-755-82594732 **Fax:** 86-755-82594762

Contact: Jane Zhang

Email: zz@sbcde.com.cn